

TrueCut

EASY • SAFE • ACCURATE



Works with: Truecut Ruler
(sold separately)

Accurate: The Ruler Guide interlocks with the edge of the TrueCut Ruler, letting you make straight, precise cuts every time!

Easy: As you move the cutter effortlessly along the ruler's track, the guide keeps your cutter from veering away.

Safe: The Ruler Guide keeps your fingers safer by preventing accidental slips.

Step 1- Replacing Blade:

1-1: To change the blade, unscrew the back knob and pull out the blade bolt.

1-2: Carefully pull out the blade bolt and remove the 45 mm blade.

1-3: Replace 45 mm blade with a new or sharpened blade.

1-4: Insert blade bolt with the ruler guide and blade back through cutter, as shown in Fig. 1-1.

1-5: For cutting without the ruler guide simply follow steps 1-1 through 1-4 but remove the ruler guide from the assembly.

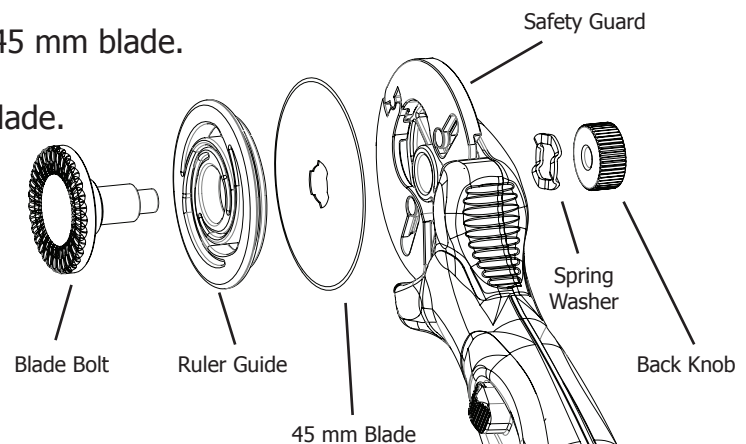


Fig. 1-1

The TrueCut Rotary Cutter can be held in many different ways. To the left are some options of how it can be held when cutting. Try some of them out and use it however feels most comfortable to you.

Patent(s) Pending
1-800-264-0644
www.graceframe.com



TrueCut and The Grace Company logo
are trademarks of TrueCut
and The Grace Company.
©2010 TrueCut.
MADE IN CHINA

Caution: contains sharp blade