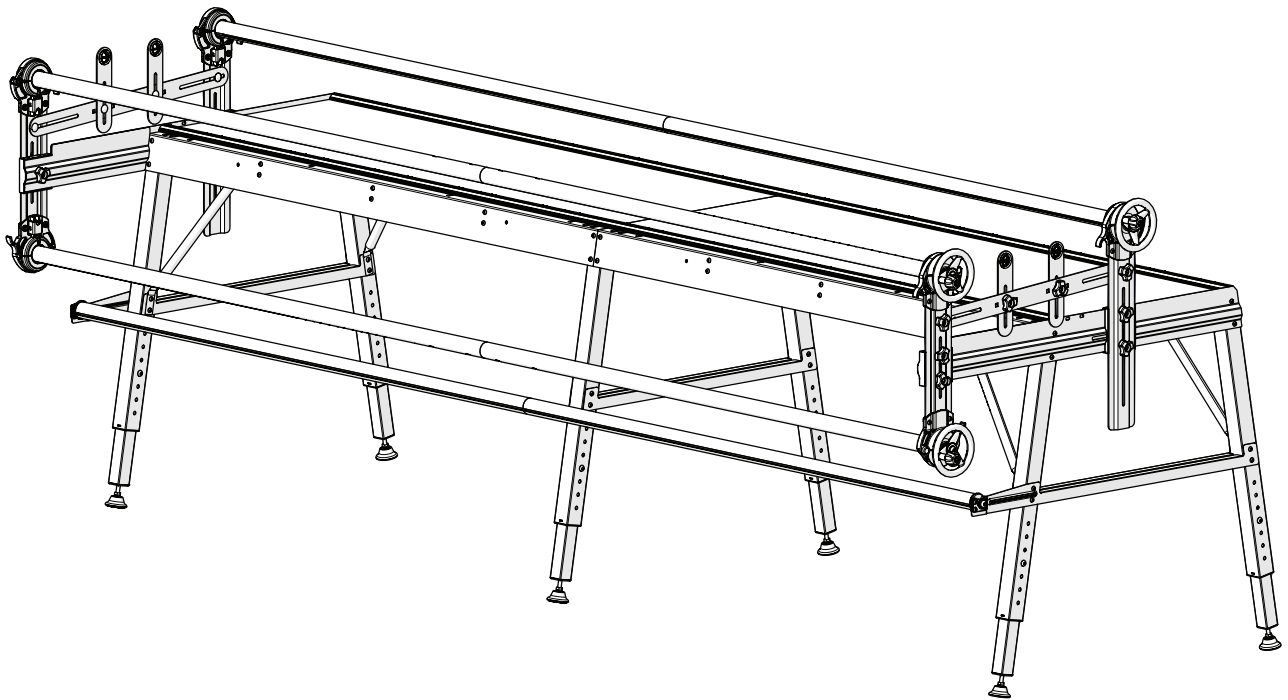


# Majestic Frame

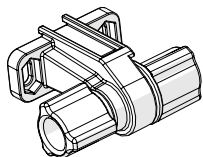
## Task 5: Tension the Long Belt



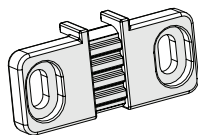
## Task 5: Tension the Long Belt

### Parts & Tools Needed:

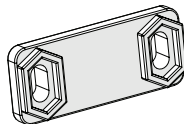
Belt Tensioner



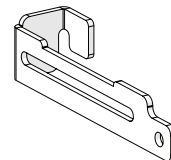
Back Belt Clamp



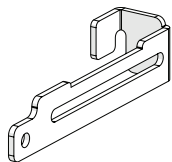
Front Belt Clamp



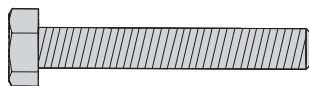
Majestic QM  
Belt Bracket Left



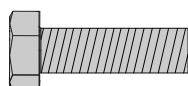
Majestic QM  
Belt Bracket Right



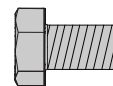
Hex Bolt  
M6 x 40 mm (x2)



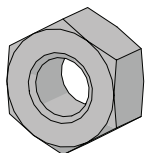
Hex Bolt  
M6 x 20 mm (x2)



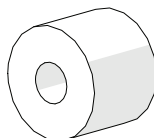
Hex Bolt  
M6 x 10 mm (x2)



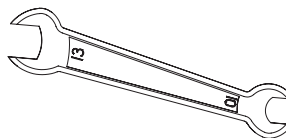
Hex Nut M6 (x4)



Spacer 6 mm (x2)



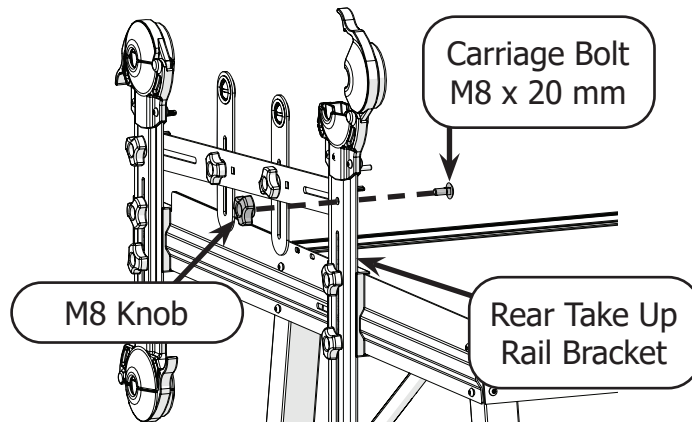
Open-end Wrench  
10 mm & 13 mm



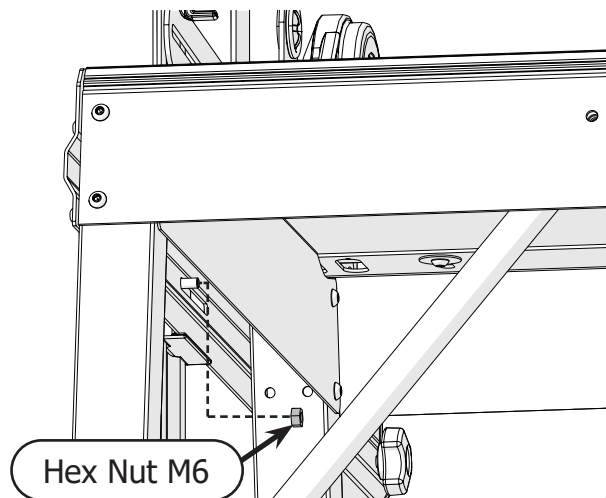
### Instructions

The long belt allows QuiltMotion to move horizontally across the frame. Take the following steps to tension the long belt across the frame:

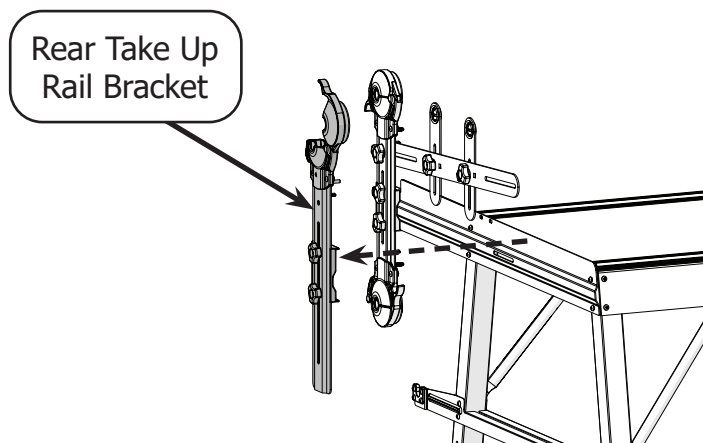
- 1 Unscrew the **M8 knob** and remove the **M8 x 20 mm carriage bolt** from the **rear take up rail bracket** on the right side of the frame.



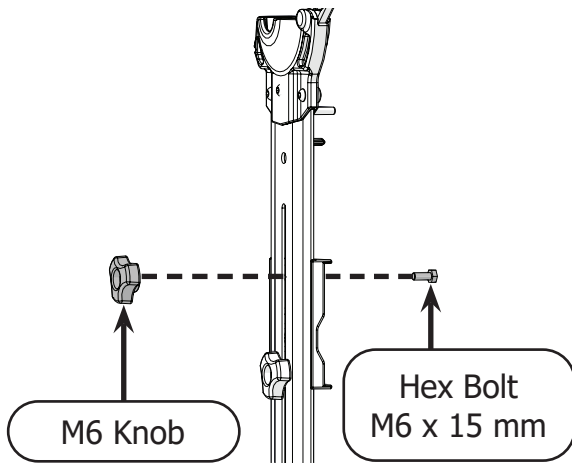
- 2 Use the 10 mm open-end wrench to remove the **M6 hex nut** from inside the right leg.



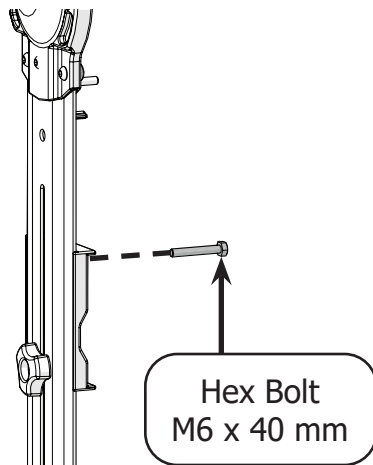
- 3 Remove the **rear take up rail bracket** from the right side of the frame.



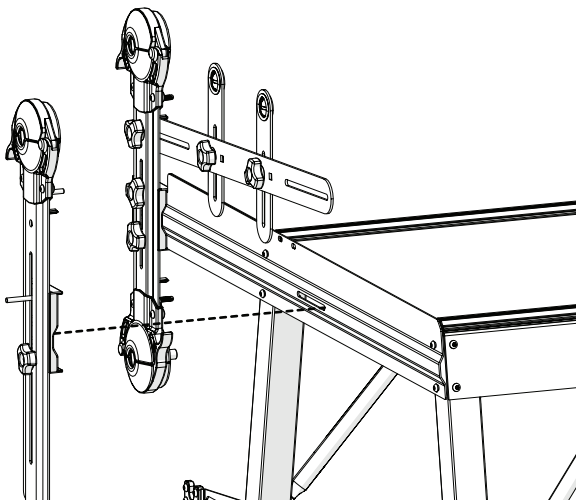
- 4 Remove the **M6 knob** and the **M6 x 15 mm hex bolt** from the take up rail bracket.



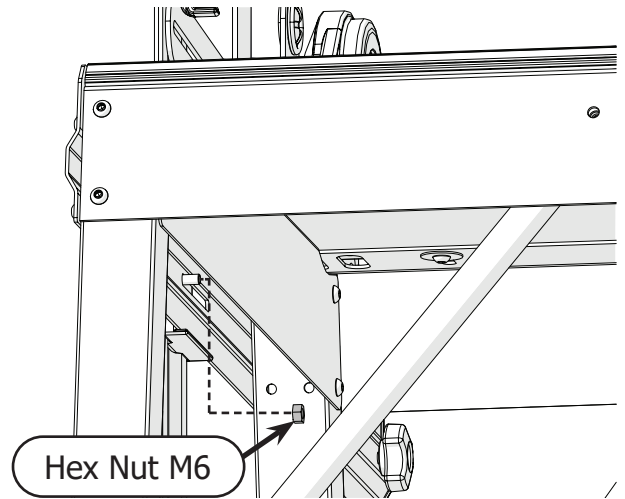
- 5 Slide the **M6 x 40 mm hex bolt** into the place where the M6 x 15 hex bolt used to be.



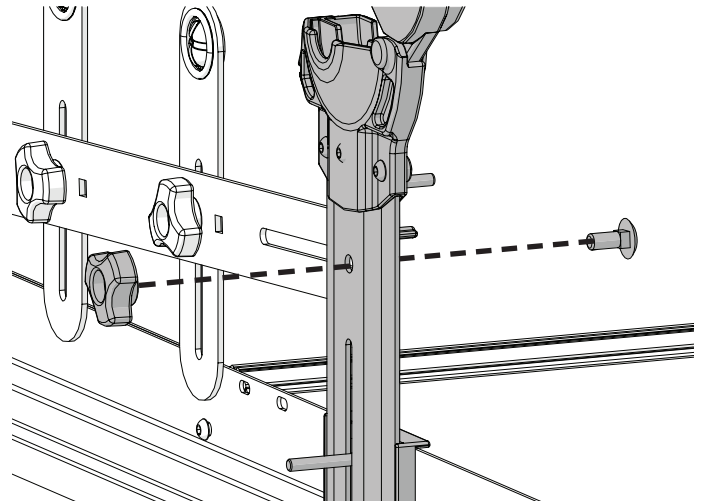
- 6 Return the rear take up rail bracket to the right side of the frame.



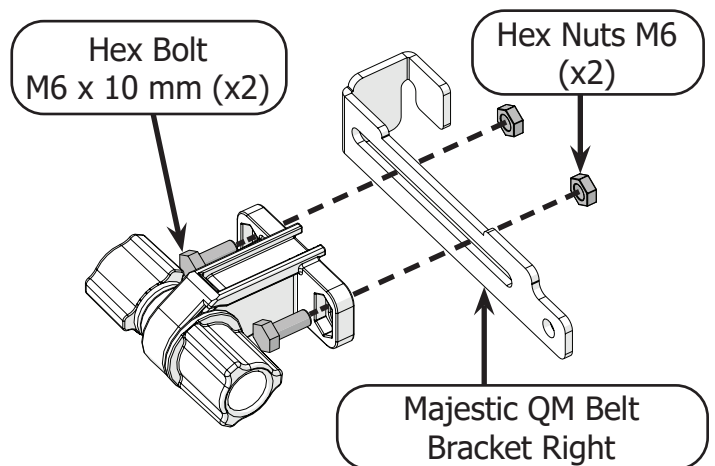
- 7 Replace the **M6 hex nut**.



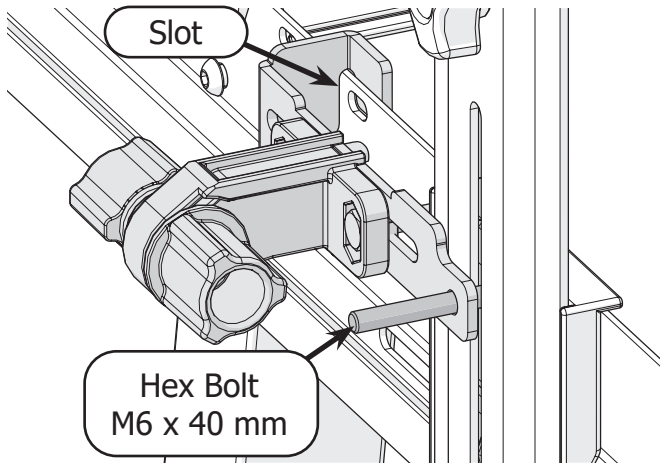
- 8 Replace the M8 knob, the M8 x 20 mm carriage bolt, and the M6 hex nut.



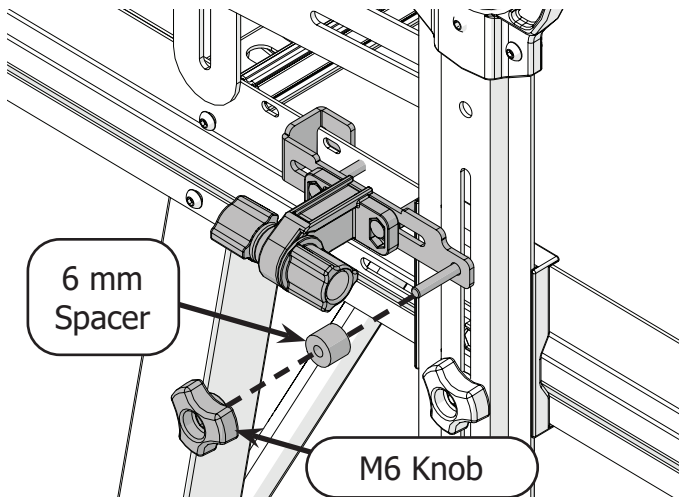
- 9 Connect the tensioner to the **right Majestic QM belt bracket** using the two **M6 x 10 mm hex bolts** and two **M6 hex nuts**.



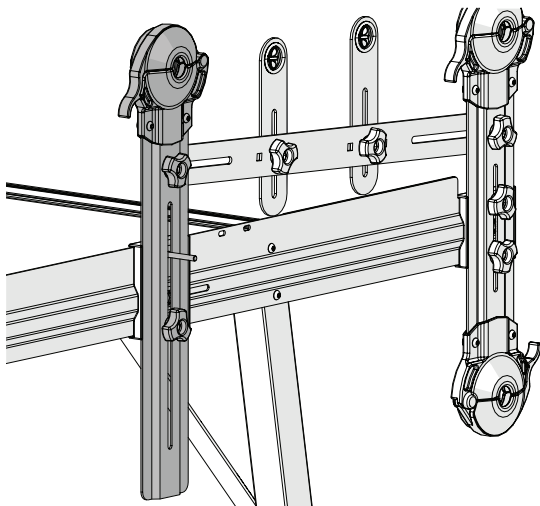
- 10 Slide the bracket onto the **M6 x 40 mm hex bolt** and place the bracket **slot** over the side lip.



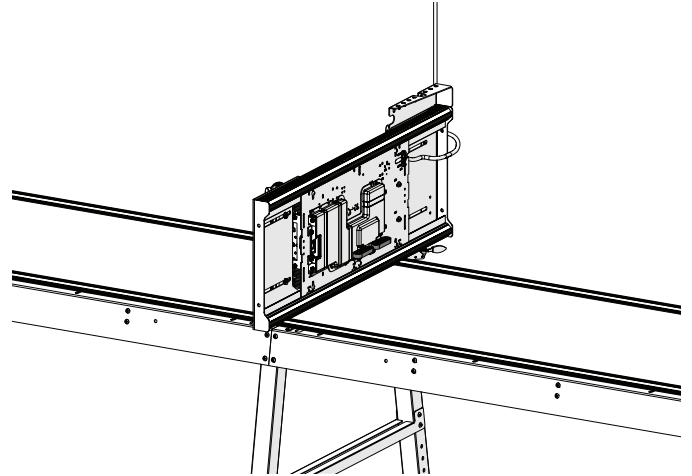
- 11 Secure in place with the **6 mm spacer** and the **M6 knob**.



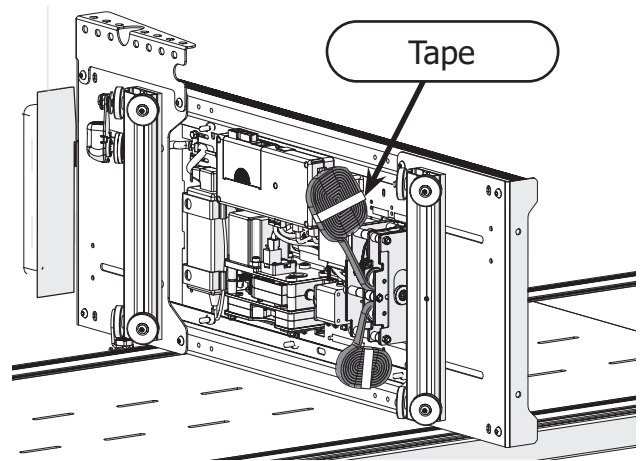
- 12 Repeat steps 3-10 for the rear take up rail bracket on the left side of the frame.



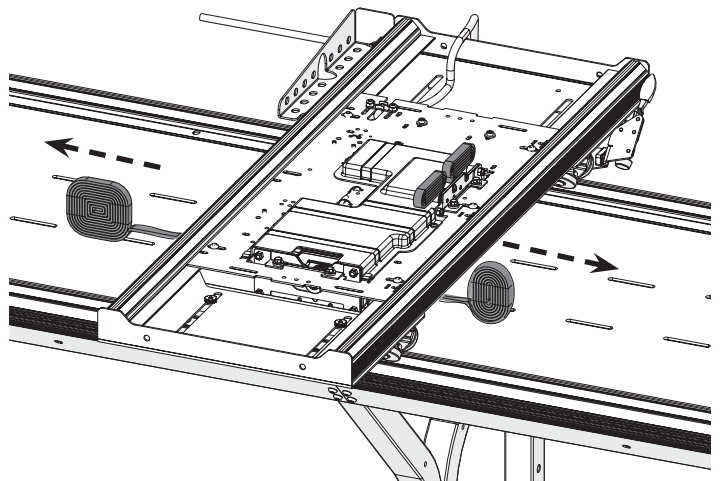
- 13 Place the bottom carriage on its right side on the frame. Do not align with the wheels with the tracks at this time.



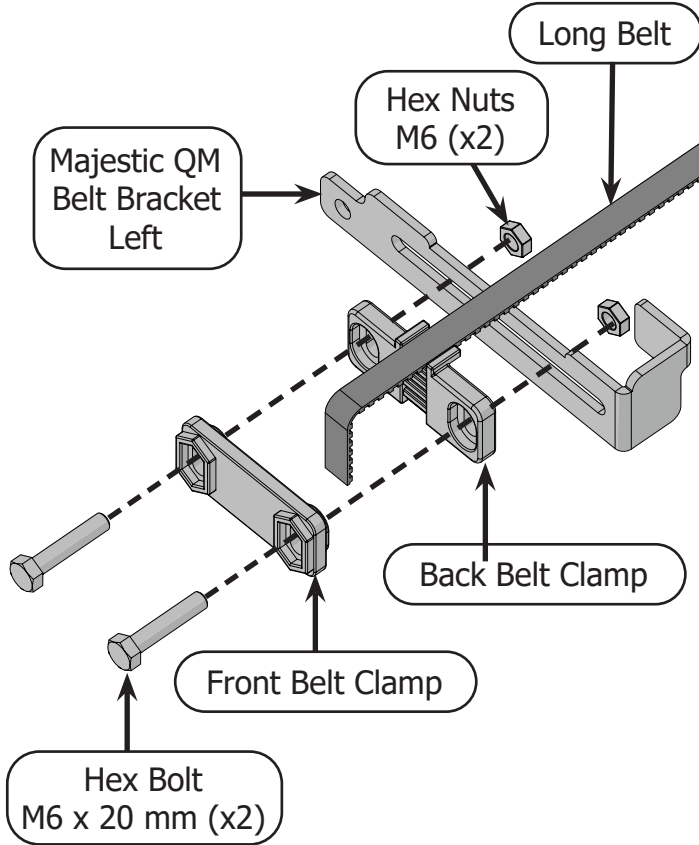
- 14 Cut the **tape** that is holding the long belt coils together and unroll several inches of each end of the belt.



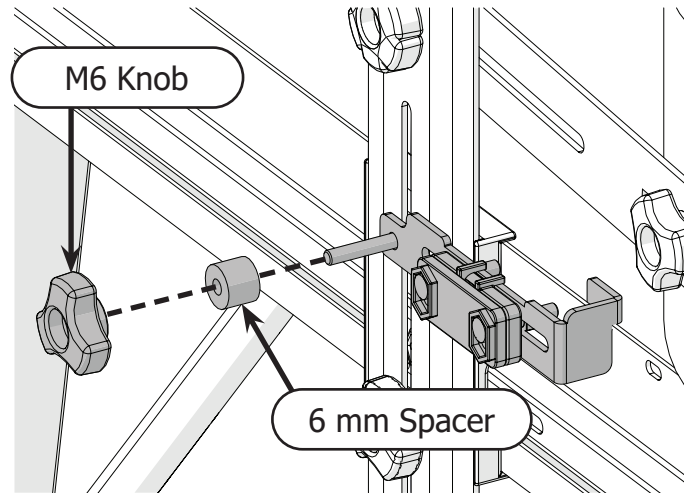
- 15 Lay the carriage flat with the wheels on the tracks and finish unrolling the long belt.



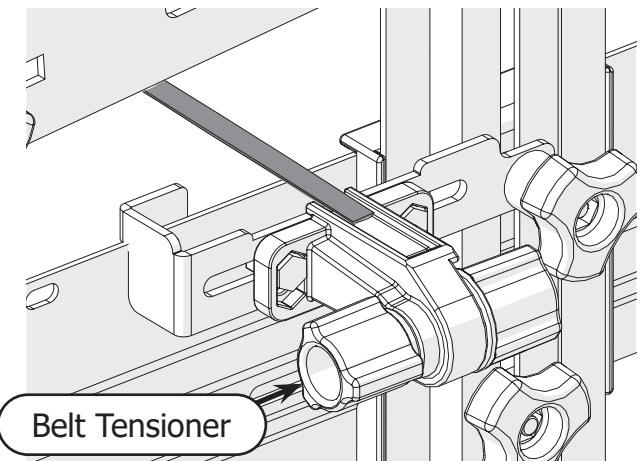
- 16 Clamp left end of the long belt between the **front** and **back belt clamps**. Attach them to the **left Majestic QM belt bracket**, with two **M6 x 20 mm hex bolts**, and two **M6 hex nuts**.



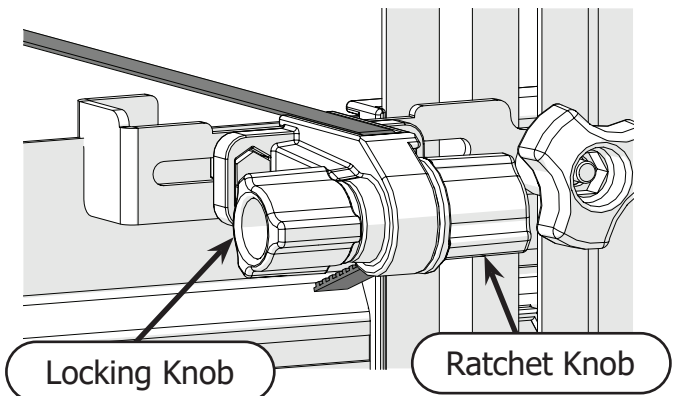
- 18 Secure in place with the **6 mm spacer** and the **M6 knob**.



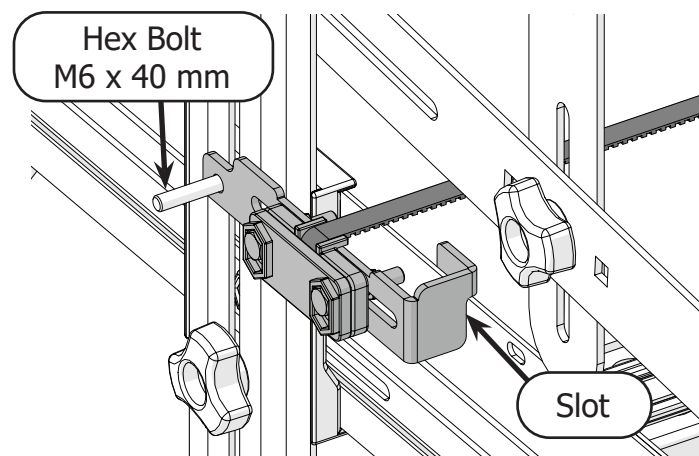
- 19 Feed the other end of the long belt into the top of the **belt tensioner** on the right side of the frame.



- 20 Turn the **ratchet knob** to pull the extra belt length through the tensioner until the belt is tight across the frame. Turn the **locking knob** to lock it in place.

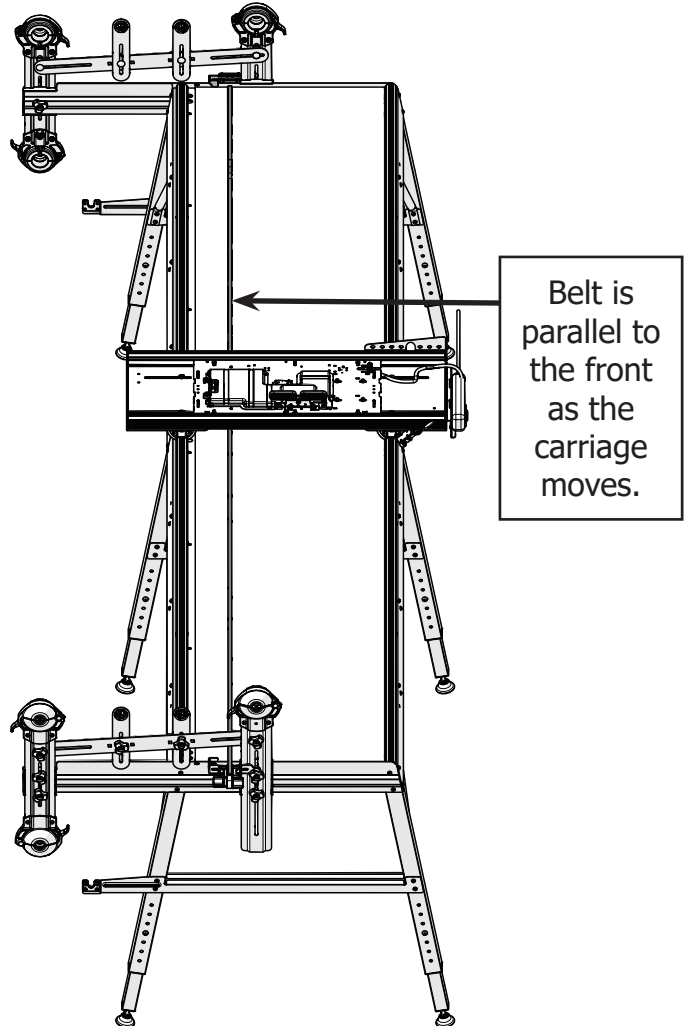
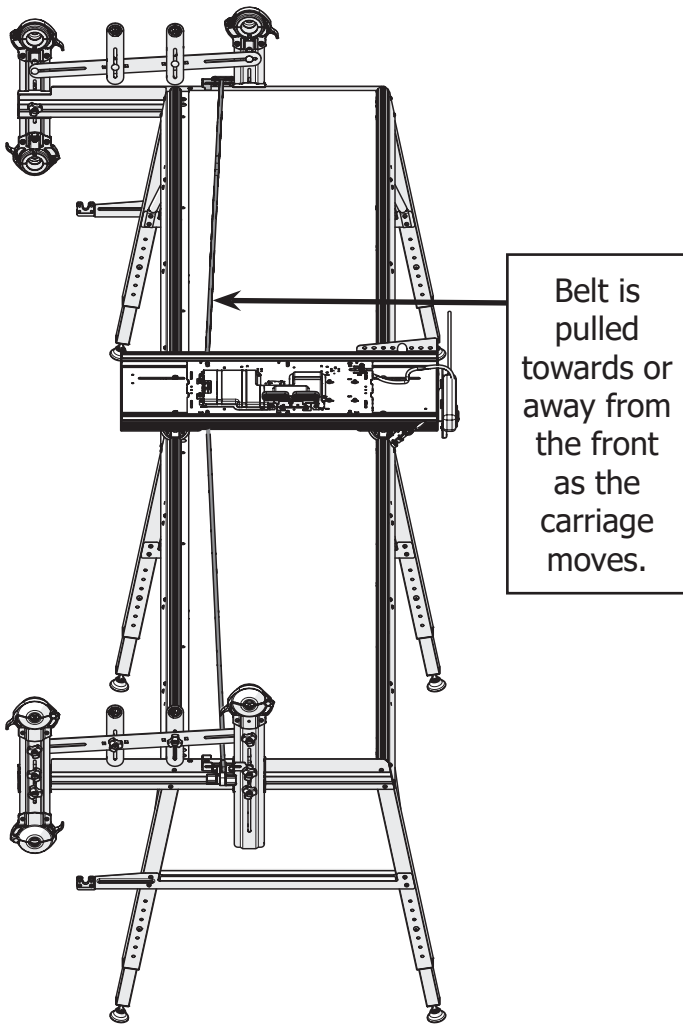


- 17 Slide the bracket onto the **M6 x 40 mm hex bolt** so the edge of the frame fits into the bracket **slot**.

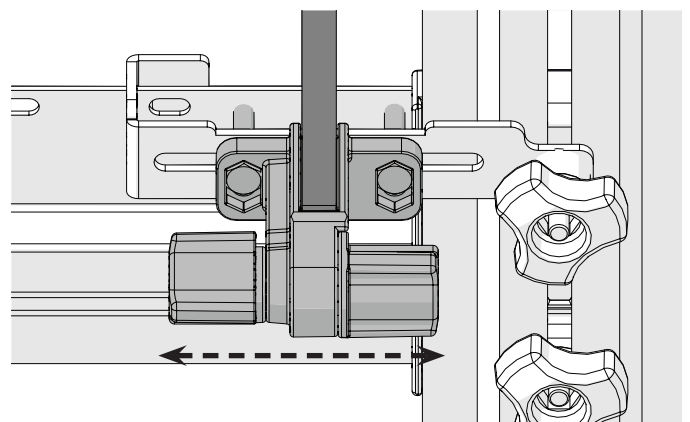
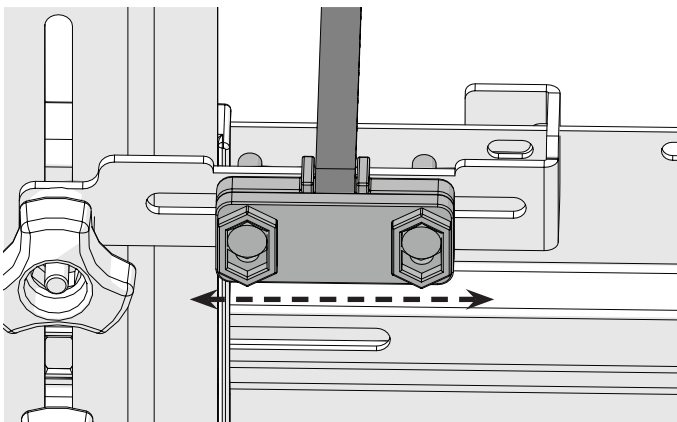




- 21 Once the belt is tight, slide the bottom carriage across the frame. Watch the belt closely for any bowing.



- 22 If the belt is bowing, slightly loosen the bolts in the clamp and tensioner so that you can move the clamp and tensioner along the slots in the brackets. Re tighten the bolts when the belt is straight.



Congratulations! You have completed Part One of this manual.

If you're setting up QuiltMotion on a quilting machine that is not yet assembled:

- Complete the steps in Part Two of your machine's instruction manual.
- If your machine manual is not broken into parts, follow the directions to install and align the machine wheels. Then continue onto Part Two of your QuiltMotion manual.

If you are installing QuiltMotion with a fully assembled quilting machine or a domestic sewing machine on a fully assembled top plate, continue to Part Two of your QuiltMotion manual.

If you will be using a domestic sewing machine and you have not yet assembled your top plate, do so now. Then continue onto Part Two of your QuiltMotion manual.