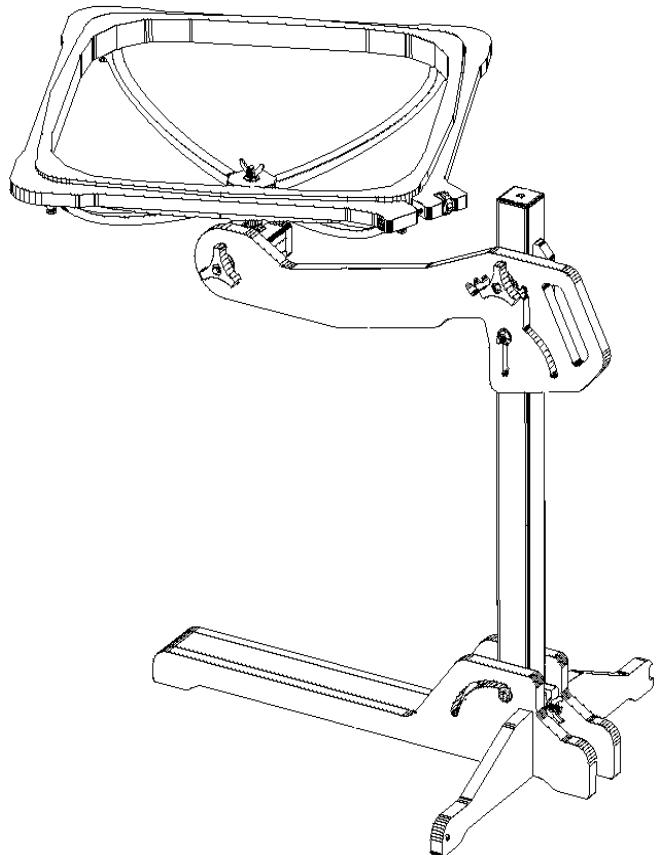


# Quilting with The GraceHoop<sup>2</sup><sup>TM</sup>

T h e G r a c e H o o p - S q u a r e d

## Table of Contents

Customer Service Information. . . . .	2
Care, Finishing and Storage. . . . .	2
Warranty. . . . .	2
Parts List. . . . .	3-4
Assembly. . . . .	5-8
Before you Begin. . . . .	5
Step 1 Install Hardware to Upright Stand . . . . .	5
Step 2 Front Base Leg to Upright Stand Assembly. . . . .	6
Step 3 Rear Base Leg to Upright Stand Assembly . . . . .	6
Step 4 Cantilever Arm to Stand Assembly. . . . .	7
Step 5 Ball Swivel to Cantilever Arm Assembly. . . . .	7
Step 6 Hoop Brackets and Plates to Ball Swivel Assembly. . . . .	8
Step 7 Inside Hoop to Brackets Assembly. . . . .	9
Step 8 Outside Hoop. . . . .	9
Rotating and Adjusting the GraceHoop <sup>2</sup> <sup>TM</sup> . . . . .	10
Folding the GraceHoop <sup>2</sup> <sup>TM</sup> . . . . .	10-11
Basting Instructions. . . . .	12
Installing Fabric. . . . .	13
Using EdgeTool <sup>TM</sup> . . . . .	13-14
GraceHoop <sup>2</sup> <sup>TM</sup> Accessories. . . . .	13-14
Other Grace Products. . . . .	15-16



**Copyright December 1998**  
 Jim M. Bagley, GraceWood, Inc.  
 Reproduction Prohibited,  
 Patent Pending

# Care of Your GraceHoop<sup>2</sup>™

The GraceHoop<sup>2</sup>™ may be sealed and/or stained with an application of tung oil which will help preserve the wood and will help to prevent warping. Test stain on an inconspicuous place. Many different finishes and/or stains may be suitable for sealing and beautifying your hoop. You may want to consult your local paint retailer for finishes which will apply easily and dry hard—not oily.

**Tip:**

–Store the hoop in a dry place—preferably with the stand in vertical position.

**Lifetime Limited Warranty Information**

GraceWood, Inc. will replace or repair, at our discretion, any part of the GraceHoop<sup>2</sup>™ with problems due to manufacturing or workmanship. This warranty does not cover parts damaged through misuse, improper storage, improper assembly, loss, natural events, and willful or accidental destruction. Parts must be returned to the Grace Company, shipping prepaid, before we can replace them. We will promptly return the repaired or replaced part at our expense if done within a year of the purchase date. After one year customers are responsible for the cost of return shipping. Customers will never have to pay the cost of a part covered by the lifetime warranty.

<p><b><u>Address For Shipping of Materials to Grace Co:</u></b> 801 W. Layton Ave. Salt Lake City, UT 84104</p> <p><b><u>For Regular Correspondence:</u></b> P.O. Box 27823 Salt Lake City, UT 84127</p>
--

<p><b><u>Technical Support:</u></b></p> <p>1-(801)-972-5801 Office Hours from 8 am to 4:30 pm MST</p> <p>(Leave a message after hours; all calls will be returned).</p>
---

Please report any errors in these instructions or make constructive comments to the P.O. Box or any of the following: *FAX: (801)908-8888 ~ E-mail: info@graceframe.com*

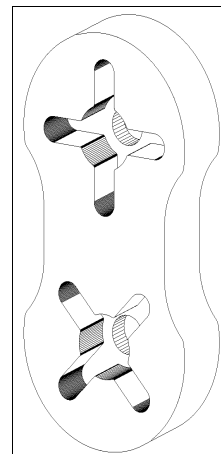
The GraceHoop<sup>2</sup>™ is a new product with several original design innovations. Our products are tops in functionality and ease-of-use, due in large part to the feedback we have received from the thousands of customers who use our products. If you have any suggestions that will help us to improve our product or service, please write to The Grace Company.

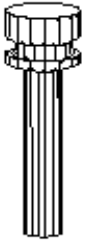
\*\*\*\*\*

We have included a new tool for your convenience in assembling and disassembling your Grace Quilting Frame/Hoop. This **WingGrip**™ tool has two openings at different angles. Simply fit it over the wing nut and turn to tighten. With this tool, you can easily tighten a wing nut slightly more than by hand! (Be careful not to overtighten).

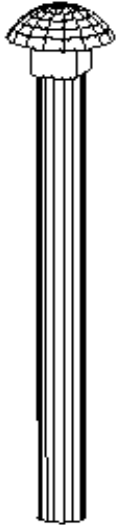
\*\*\*\*\*

## GraceHoop<sup>2</sup>™ Small Hardware Parts List

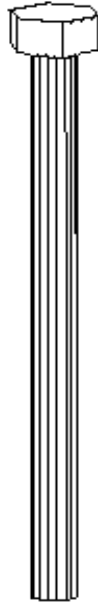




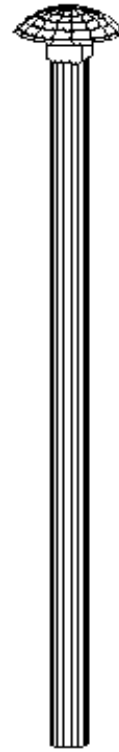
4 - Nylon Thumb Screws  
1/4" x 1- 1/4"



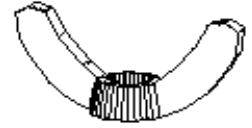
3 - Carriage Bolts  
5/16" x 3"



2 - Hex Head Bolts  
5/16" x 4"

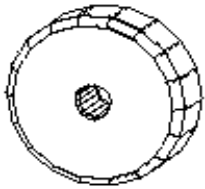


1 - Carriage Bolt  
1/4" x 5"



4 - Wing Nuts  
5/16"

1 - Nylock Locking Nut  
5/16"



1 - Large Knurled Finger Nut  
1/4"

2 - Fender Washers (Largest Size)  
1 - 1/2" O.D. 3/8" I.D.



3 - Low Profile Jamb Nuts  
5/16"



2 - Plastic Three-Wing Knobs  
5/16"

1 - Hex Nut (Smaller)  
1/4"



3 - Washers (Smallest Size)  
5/8" O.D. 1/4" I.D.



1 - Lock Washer  
5/8" O.D. 5/16" I.D.



11 - Washers (Medium Size)  
7/8" O.D. 5/16" I.D.

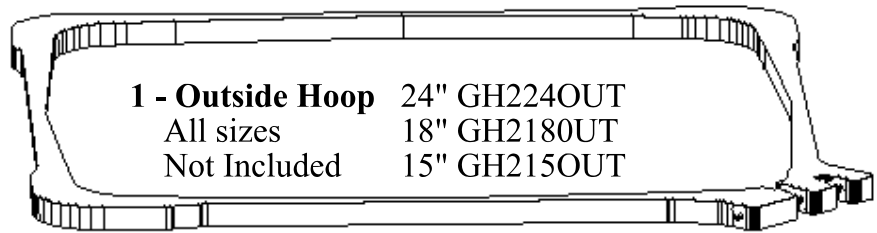


# GraceHoop<sup>2</sup>™ Large Parts List

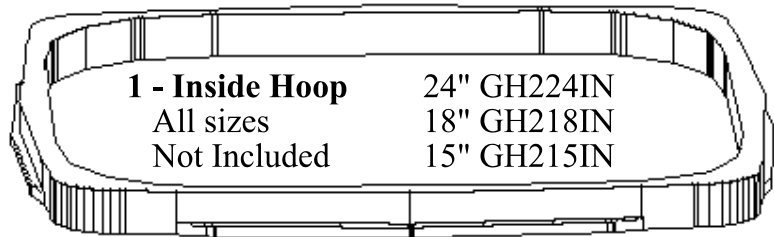
## Assembly of the GraceHoop<sup>2</sup>™



**1 - Upright Stand**  
GH2US32



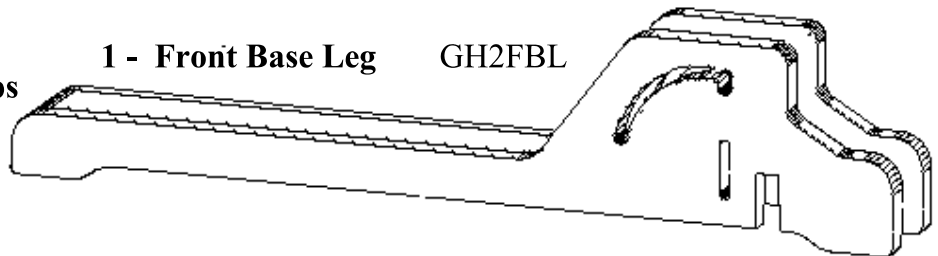
**1 - Outside Hoop** 24" GH224OUT  
All sizes 18" GH2180UT  
Not Included 15" GH215OUT



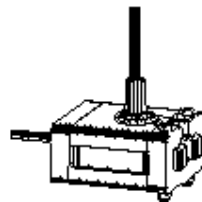
**1 - Inside Hoop** 24" GH224IN  
All sizes 18" GH218IN  
Not Included 15" GH215IN



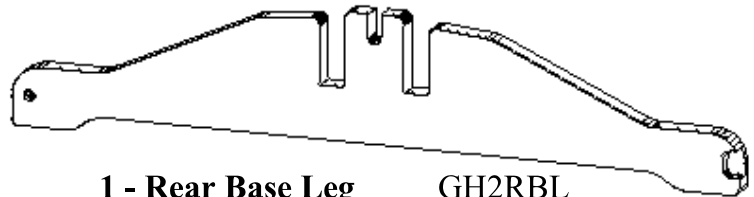
**2 - Hoop Bracket Caps**  
GH2HBC



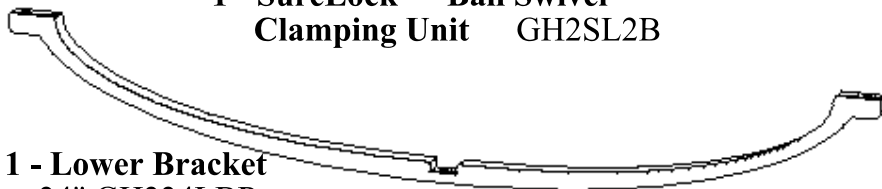
**1 - Front Base Leg** GH2FBL



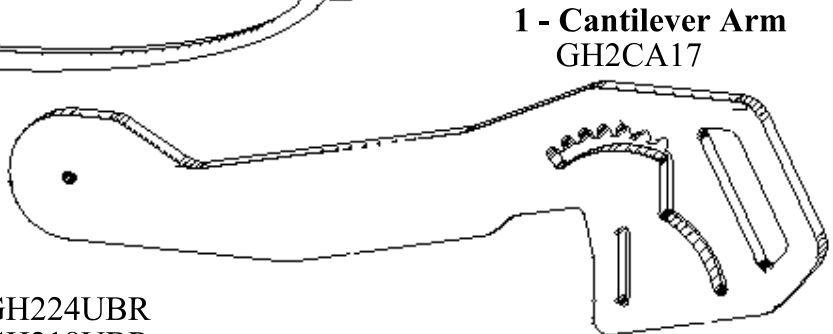
**1 - SureLock™ Ball Swivel Clamping Unit** GH2SL2B



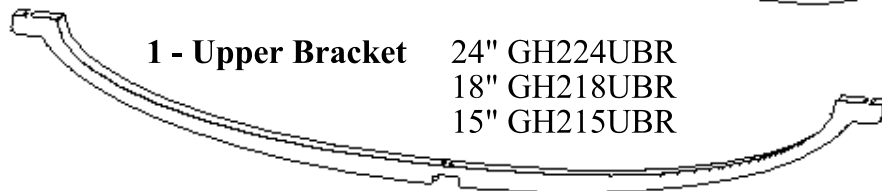
**1 - Rear Base Leg** GH2RBL



**1 - Lower Bracket**  
24" GH224LBR  
18" GH218LBR  
15" GH215LBR



**1 - Cantilever Arm**  
GH2CA17



**1 - Upper Bracket** 24" GH224UBR  
18" GH218UBR  
15" GH215UBR

## Before You Begin

- Using the parts list as a reference, take all of the parts out of the box and make sure that you have them all. (If there is something missing or broken, contact The Grace Company. We will promptly correct the problem).

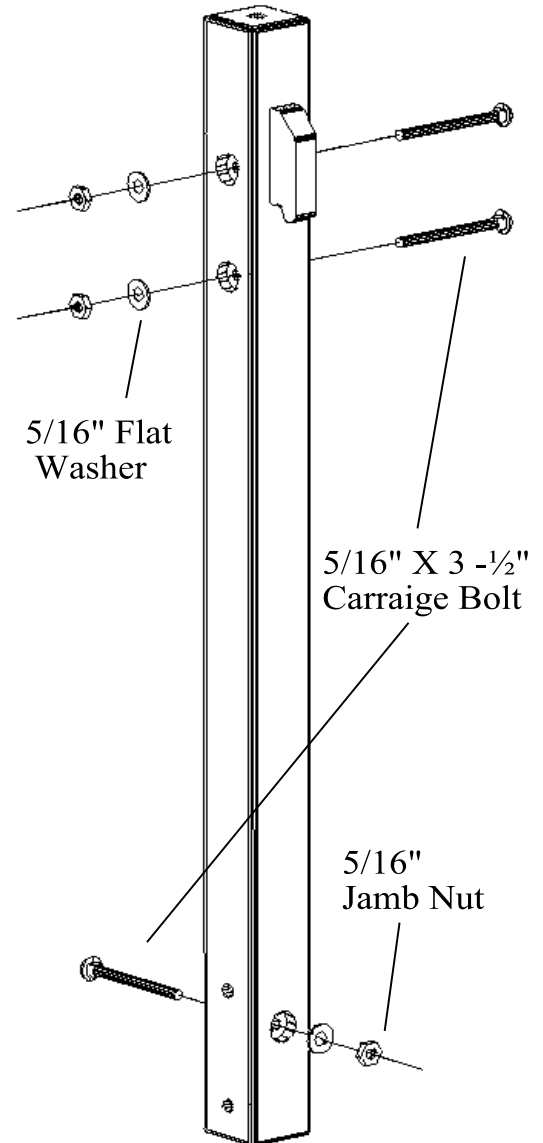
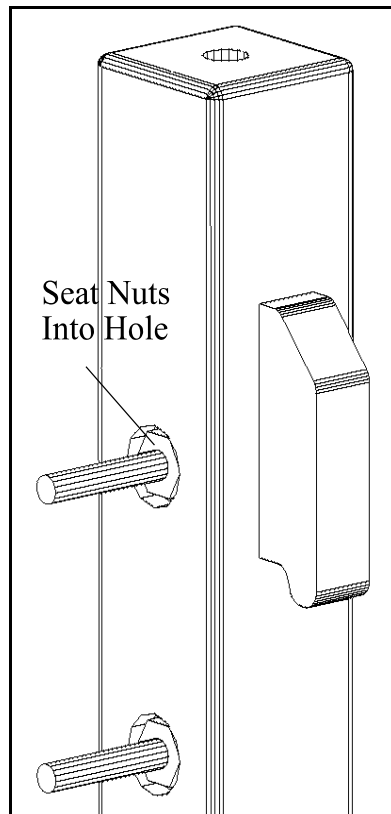
## Tools Needed

- To assemble the GraceHoop<sup>2</sup>™, you will need only a wrench with a 7/16" opening and a wrench with a 1/2" opening. A pair of pliers may be used. Once assembled, no tools will be needed for the utilization of the hoop.

## Step 1. Install Hardware to Upright Stand

- Parts needed:
- 1 - Upright Stand
  - 3 - 5/16" x 3 Carriage Bolts
  - 3 - 5/16" Flat Washers
  - 3 - 5/16" Jamb Nuts

- < Insert the Carriage Bolts into the holes of the stand as pictured.
- < Thread a 5/16" washer and 5/16" nut onto the end of each bolt.
- < Continue to thread each nut so that it sits below the surface of wood as pictured below.
- < Tighten the nut completely so that the round heads of the Carriage Bolts are flush with the surface of the wood.



## Step 2. Front Base Leg to Upright Stand Assembly

- Parts needed:
- 1 - Upright Stand Piece
  - 1 - Front Base Leg

- 1 - Back Base Leg
- 2 - 5/16" x 4" Hex Head Bolts
- 4 - 5/16" Flat Washers
- 2 - 5/16" Wing Nuts

- < Position stand into the front base leg (as pictured) so that the lower bolt (see step 1) points out toward the back of the leg.
- < Locate the 5/16" x 4" Hex Head Bolts
- < Hold the stand so that its side holes are visible through the slots in the leg piece. Thread the bolts with a pre-applied 5/16" washer through the holes.
- < Thread another 5/16" washer onto the end of each bolt and secure with a 5/16" wing nut.

**\*Tip – Do Not Tighten Wing Nuts Completely Yet.**

### Step 3. Rear Base Leg to Upright Stand Assembly

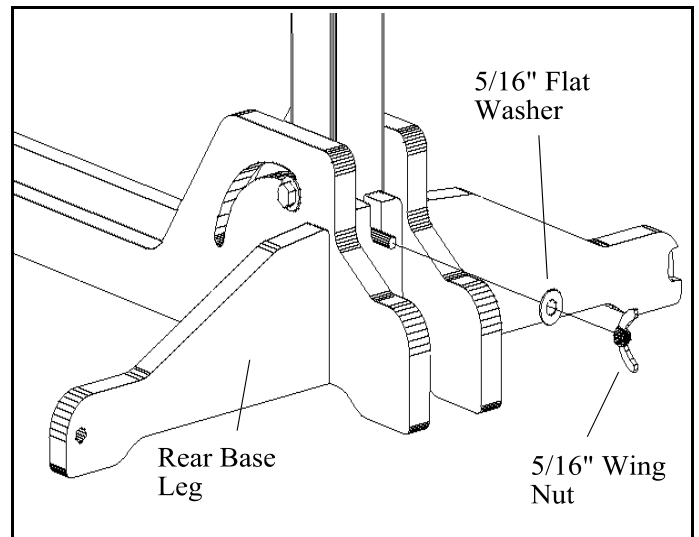
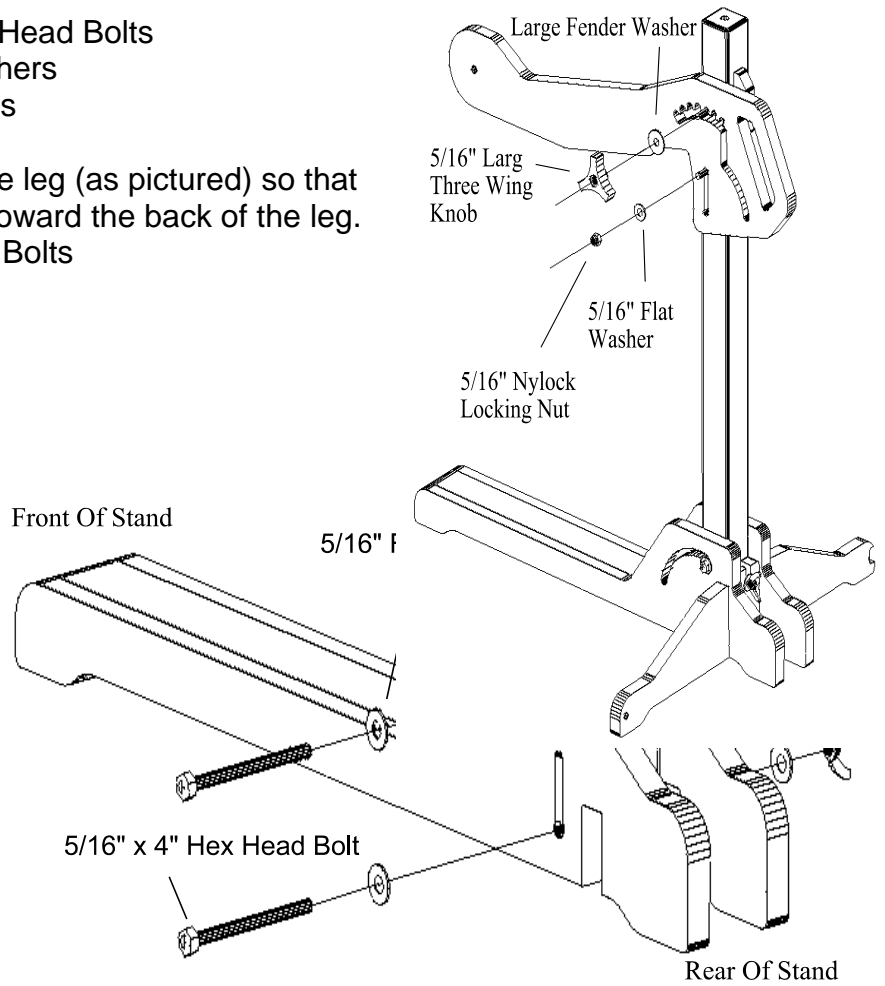
- Parts needed:
- 1 - Upright Stand Piece / Front Base Leg Assembly
  - 1 - Rear Base

- Leg
  - 1 - 5/16" Flat
- Washer
  - 1 - 5/16" Wing Nut

- < Slide the Rear Base Leg into slots underneath the front base leg (slots are located at the rear of front base leg—see picture).
- < The protruding bolt at base of stand should fit into slot at the top of the Back Base Leg.
- < Thread a 5/16" washer and Wing Nut onto the bolt and completely tighten to secure Rear Base Leg to the Stand assembly.

### Step 4. Cantilever Arm to Stand Assembly

- Parts needed:
- 1 - Stand Assembly With Legs
  - 1 - Cantilever Arm
  - 1 - 5/16" Flat Washer



- 1 - 1½" Fender Washer
- 1 - 5/16 Nylock Locking Nut
- 1 - 5/16" Three-Wing Knob

- < The Cantilever Arm will fit onto the two bolts extending from the upper part of the stand. Place the Arm so that the lower bolt slides through the straight lower slot. The upper bolt slides through the ratchet slot (see picture).
- < Apply 1½" Fender Washer and Three-Wing Knob onto the upper bolt.
- < Apply 5/16" Washer and Nylock Locking Nut onto lower bolt. Tighten lock nut until it is just a couple of threads away from washer. **DO NOT TIGHTEN LOCK NUT COMPLETELY TO WASHER.** Bolt should slide in slot freely, but not sloppily.

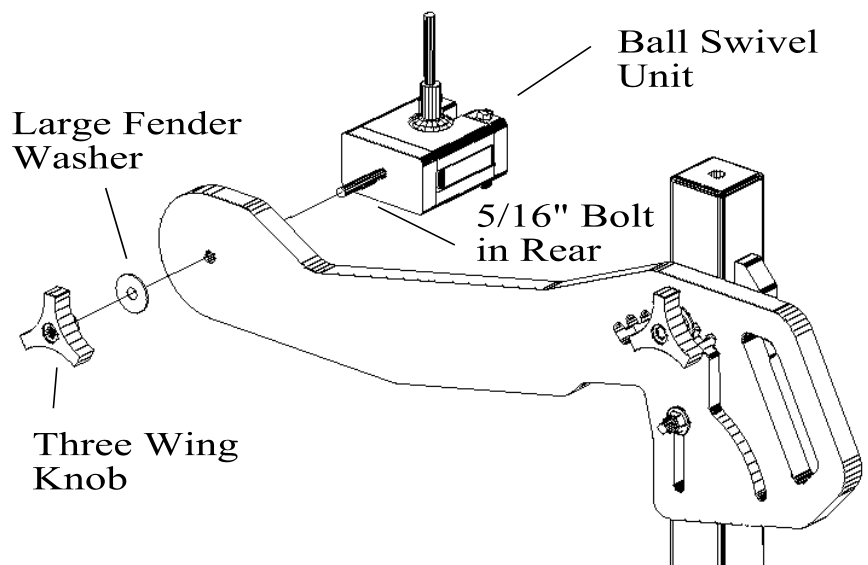
### Step 5. Ball Swivel to Cantilever Arm Assembly

- Parts needed:
- 1 - Ball Swivel Unit
  - 1 - Cantilever Arm on Stand
  - 1 - 1 - ½" Fender Washer
  - 1 - 5/16" Three-Wing Knob

- < Locate the bolt protruding from back of the Ball Swivel Unit. This bolt will go through the hole at the end of the arm (as pictured). Position swivel box so that it is at the opposite END of the arm, on either side for right or left hand use. (see right)
- < Slide the bolt through the hole in the arm. Secure it by threading a 1½" Fender Washer and then a Three- Wing Knob onto the bolt. Tightening the knob will lock the ball swivel into place.

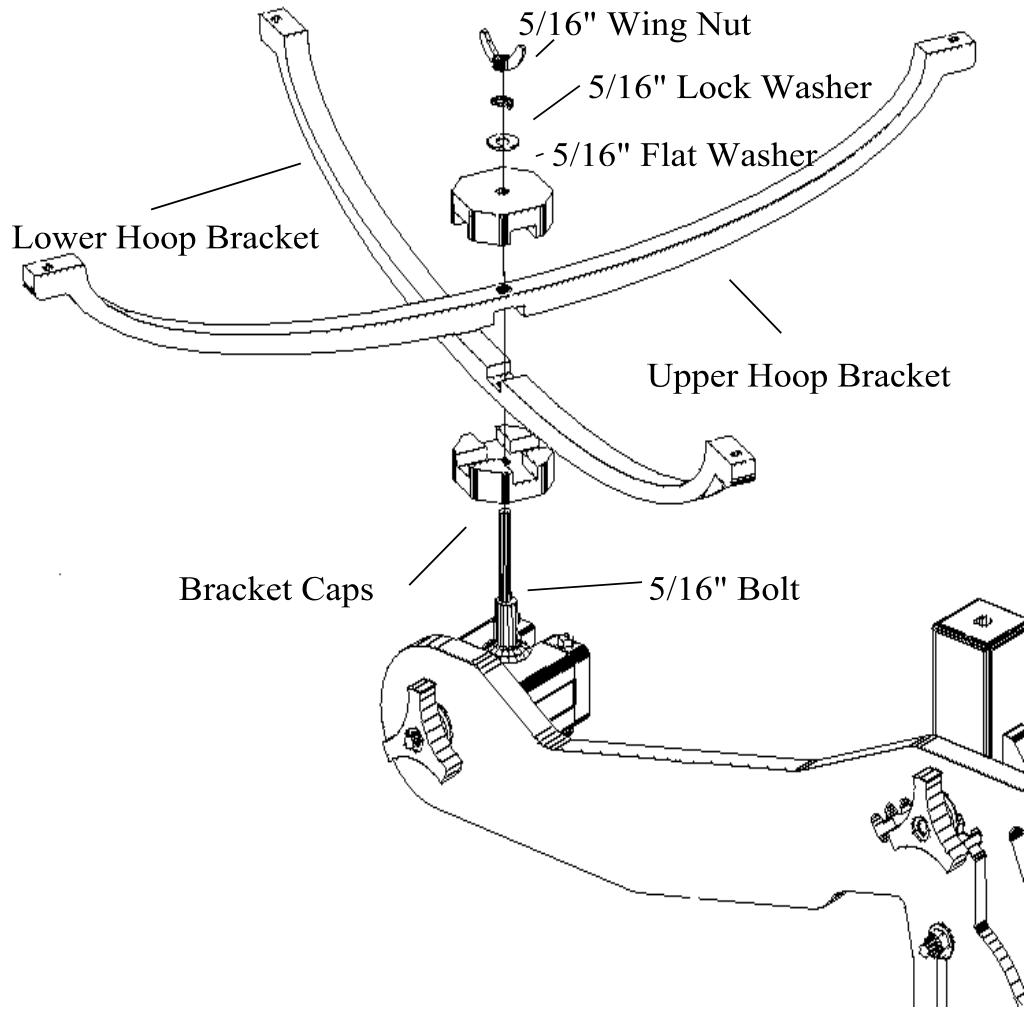
### Step 6. Hoop Brackets and Caps to Ball Swivel Assembly

- Parts needed:
- 2 - Hoop Bracket Caps
  - 1 - Lower Hoop Mounting Bracket
  - 1 - Upper Hoop Mounting Bracket



- 1 - 5/16" Flat Washer (Pre-Installed)
- 1 - 5/16" Lock Washer (Pre-Installed)
- 1 - 5/16" Wing Nut (Pre-Installed)

- < Locate the bolt that protrudes directly from the ball swivel.
- < Slide one Octagonal Bracket Cap onto the bolt with grooves facing up (as pictured).
- < Then, slide Lower Hoop Bracket onto bolt, and line it up so it fits into these grooves.
- < Slide the Upper Hoop Mounting Bracket onto the bolt and position it into the Lower Bracket as pictured.
- < Next, slide second Octagonal Bracket Cap onto the bolt with grooves facing down.
- < Finally, secure assembly by threading one 5/16" washer, followed by a 5/16" lock washer and a 5/16" wing nut. Tighten wing nut all the way down using the WingGrip™



### Step 7. Inside Hoop to Brackets Assembly

- Parts needed:
- 1 - Inside Hoop 24", 18" or 15"
  - 1 -

#### Lower Hoop Mounting Bracket

- 1 - Upper Hoop Mounting Bracket
- 4 - 1/4" x 1 - 1/2" Nylon Thumb Screws

- < Locate the metal inserts imbedded into each corner of the Inner Hoop. Hold the Hoop so that these inserts face down (or away from you).
- < Align Inside Hoop on top of the Hoop Brackets so that metal inserts fit directly over the Bracket ends.
- < Working one corner at a time, fit a 1/4" Nylon Thumb Screw into the hole in the Bracket and begin threading into metal insert (as pictured).
- < Continue with each corner until the Inner Hoop is secured onto the brackets.



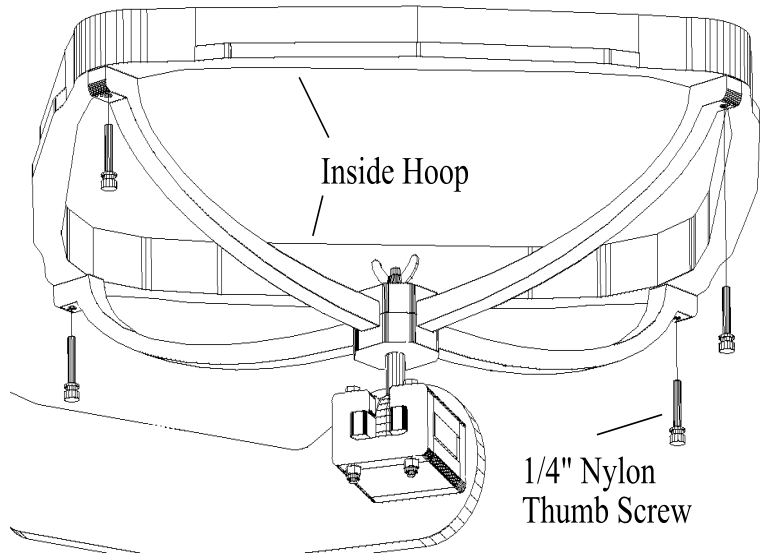
## Step 8. Outside Hoop Hardware Assembly

Parts needs:

- 1 - Outside Hoop 24", 18" or 15"
- 1 - 1/4" x 1 - 1/4" Knurled

Finger Nut

- 1 - 1/4" Hex Nut
- 1 - 1/4" x 5" Carriage Bolt
- 3 - 5/8" O.D. 1/4" I.D. Small Washers



- < This assembly will make tension control of the outer hoop possible.
- < First, position the outer hoop exactly as pictured.
- < Insert the 1/4" x 5" Carriage Bolt into the hole at the left side of the corner, so that it barely protrudes into first opening.

- < Next, in the first opening, thread a 1/4" Small Flat Washer and 1/4" Hex Nut onto the bolt. Continue threading until bolt protrudes into the second opening.

- < In the second opening, thread another 1/4" Flat Washer and 1/4" Large Finger Nut

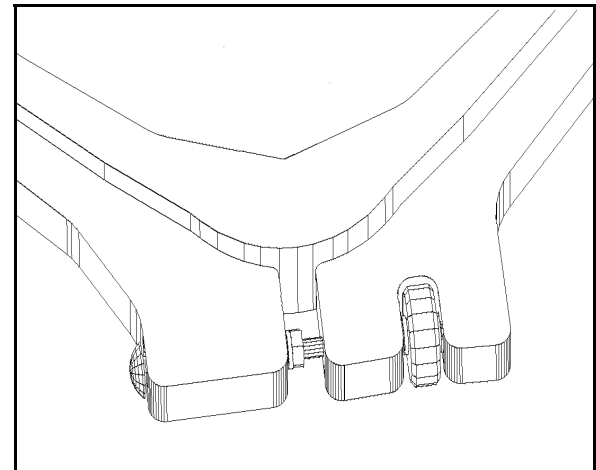
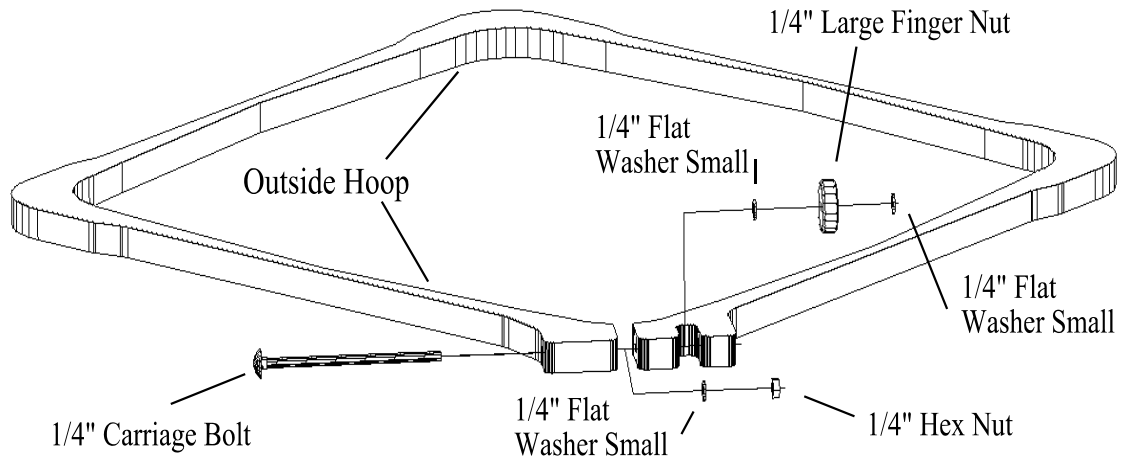
onto the bolt, followed by a third 1/4" Flat Washer. This will be a very snug fit.

- < Now loosen the tension of the Outside Hoop by turning the Finger Nut. Fit it over the Inside Hoop, resting it on the lip of the Inside Hoop.

## Rotating and Adjusting the GraceHoop<sup>2</sup>™

### Rotation

The GraceHoop<sup>2</sup>™ is the most adjustable hoop ever



made. It is capable of 360-degree rotation in two different directions. These are both controlled by the Three-Wing Knob that attaches the SureLock™ Ball Swivel Clamping Unit to the Cantilever Arm.

**Horizontal Hoop Rotation:** Loosening the Three-Wing Knob allows you to rotate the hoop horizontally. The hoop can be completely and repetitively rotated, but it is recommended that the rotation direction always be clockwise so as not to loosen the wing nut that secures the hoop and brackets to the Ball Swivel Clamping Unit.

**Vertical Hoop Rotation:** Loosening the knob will also allow you to tilt the hoop vertically. You can achieve any degree of slant possible, because of the movement of the Ball Swivel and the Clamping Unit itself. It is even possible to position the hoop upside-down.

Before you begin quilting, we recommend that you install a quilt, sit down, and experiment with the hoop and its rotational capabilities. You may even experiment sitting at different sides of the hoop. The SureLock™ Ball Swivel Unit may be installed on either side of the stand arm. You will discover which of the infinite number of positions are most comfortable for you.

## Height Adjustment

The ratchet design in the Cantilever Arm provides you with seven different height settings at which you may quilt. There is a two-foot span between the highest and lowest setting, making it possible for you to quilt while standing or sitting on a tall stool; while lying in bed, or even sitting on the floor.

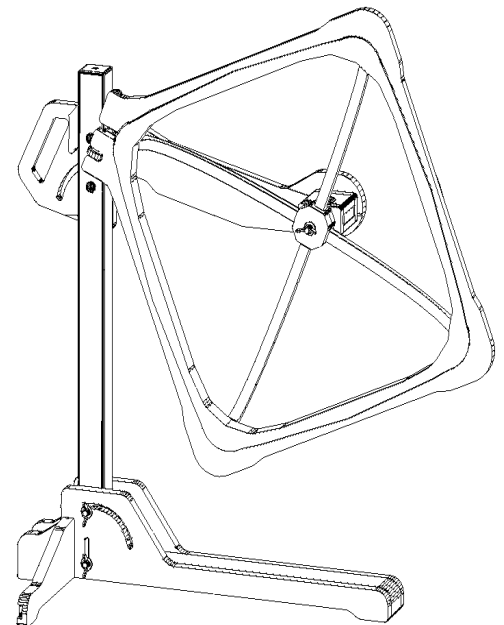
To adjust the height, loosen the Three-Wing Knob that connects the Arm to the Upright Stand. Pull the arm straight up to get the bolt out of the current setting and angle the arm to reset it in the desired slot. **BE SURE THE BOLT IS FIRMLY RESTING IN THE DESIRED SLOT, OTHERWISE IT MAY SUDDENLY SLIDE DOWN ON YOU!**

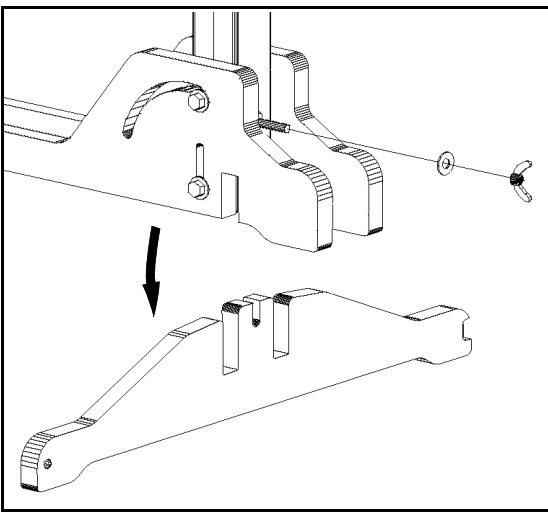
## Folding the GraceHoop<sup>2</sup>™

The GraceHoop<sup>2</sup>™ folds down to an easy-to-store, or easy-to-carry unit. Folding is achieved with the following Six Easy Steps:

**Step 1:** Turn the ball swivel to a 90-degree tilt setting (as pictured). The Sure-Lock Ball Swivel Clamping Unit should be level, with the dowel-end of the ball swivel perpendicular to the arm.

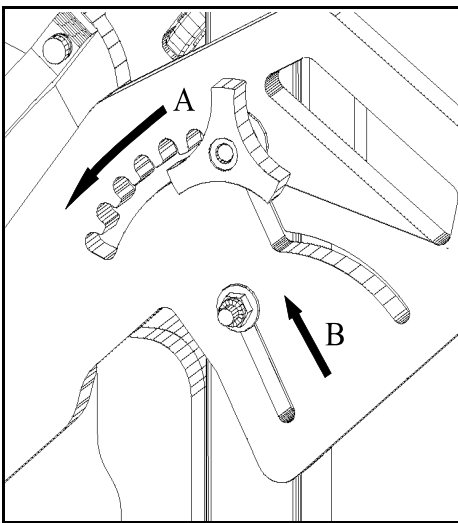
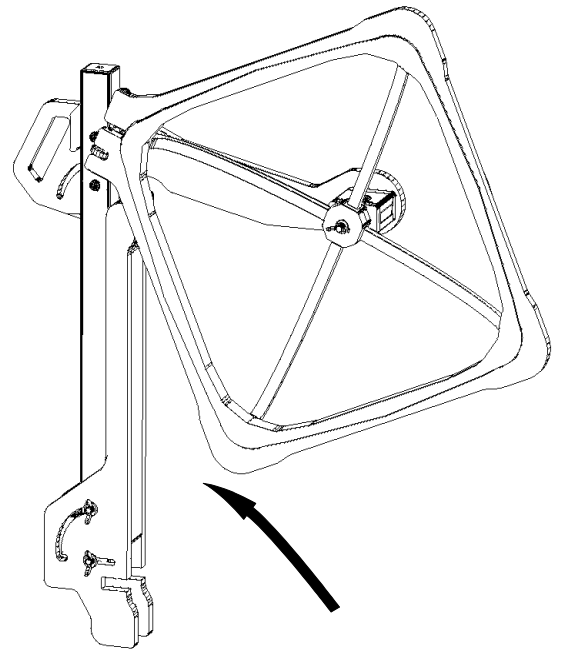
**Step 2:** Remove the Rear Base Leg by taking the 5/16" wing nut and washer off the back bolt, and sliding the Rear Base Leg out of the slots. Then, loosen the wing nuts on the other two bolts at the base of the Upright Stand and lift the stand 3/8" to unlock the swivel joint that holds the Stand upright.



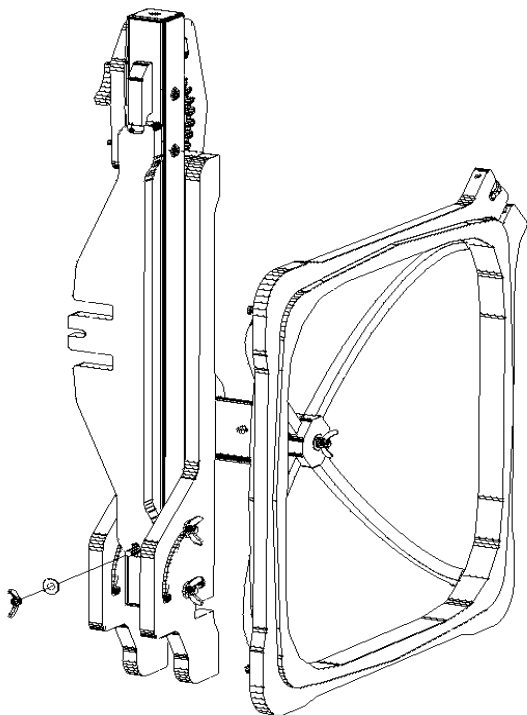


**Step 3:** Swing the Front Base Leg 90-degrees until it becomes parallel with the Upright Stand. Re-tighten the two wing nuts at the stand's base

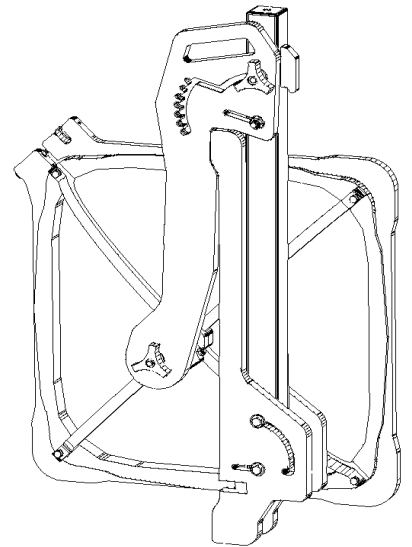
to hold this position.



**Step 4:** Loosen the Three-Wing Knob connecting the Arm and Stand. **(A)** Lift the arm straight up, let it pivot all the way down until it passes the last notch, then **(B)** lift the arm in the direction of the bottom slot about two inches. Let the arm pivot further until the top bolt rests at the bottom of its slot. This will bring the Arm parallel to the stand, sandwiching in the Front Base Leg.



**Step 5:** With the GraceHoop<sup>2</sup>™ completely folded, re-tighten all the wing nuts and knobs to secure the position.



**Step 6:** Attach the Rear Base Leg to the top of the Stand by inserting the notched end of the Base Leg under the Leg Fastener. The hole on the opposite end of the leg will slide onto the back bolt. Reapply and tighten down the washer and wing nut onto this bolt to secure the Leg.

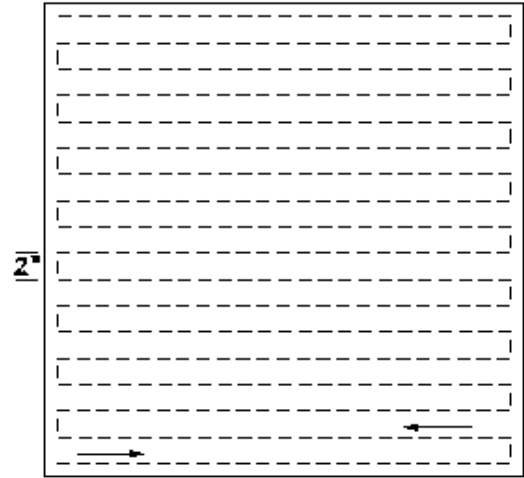
# Basting Instructions and Tips

## Basting Method I: Fabric Rolling on a Frame

This is best accomplished on a three or four-rail Grace Quilting Frame. Follow your GraceFrame™ instructions for fabric lining installation. The frame will hold the fabric and batting materials evenly and smoothly, assuring a smooth and evenly basted quilt.

Begin stitching from one edge of the quilt near the rail closest to you. Baste horizontally using an even-running stitch. Baste to the other edge, and then stitch the second line going the opposite direction, making your basting lines about 2 to 4 inches apart. Follow this pattern of stitching throughout the rest of the quilt.

**IMPORTANT:** When rolling the quilt to the next work area, *do not over roll!* Rolling the last row of stitching over the rail—even part-way--may cause puckering. This is easily overcome by leaving one row of stitching completely visible on the flat plane of the working area.



## Basting Method II: Starburst

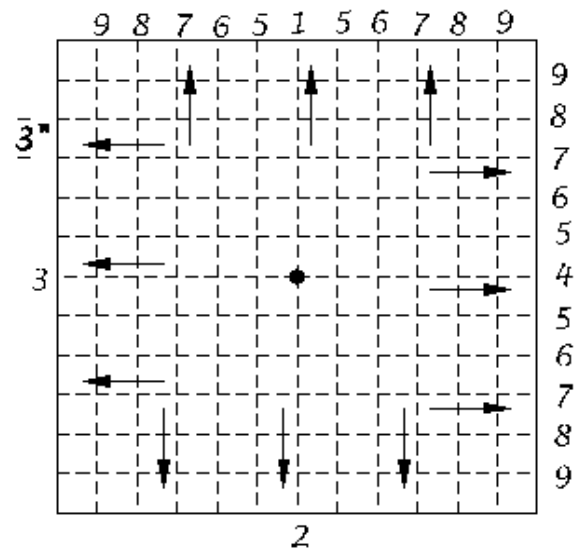
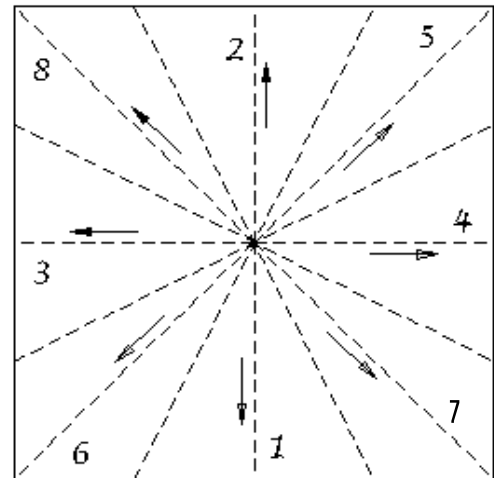
(1) Cut and sew the backing fabric together to be at least 2 or 3 inches larger than the top on all sides. (2) Press all the seams open flat. Fold the backing in-half longways and finger crease the center and lightly mark the top and bottom edges in the center.

(3) Place the backing on a smooth, flat surface that is a little larger than the backing. Place the backing fabric with the right-side down. Be sure it is free of wrinkles. You may even use masking tape to make the backing smooth.

(4) Unfold the batting and layer it carefully over the backing. Smooth out all the wrinkles. The batting should be about the same size as the backing.

(5) Fold the top fabric in-half lengthwise and lightly mark the center at the top and bottom edge. Carefully lay the top over the batting layer. Be sure the center marks of the backing and the top match up. Again, smooth out all the wrinkles. You can use straight pins to hold the layers together while basting.

To do the actual basting, use a large needle with thread. Starting in the center, baste with large stitches. First baste from edge to edge up the vertical center of the quilt. Then baste from edge to edge across the horizontal center of the quilt. Continue to baste in a starburst fashion (see picture) working from the center out, until all layers are completely stabilized.



## Basting Method III: Square-Stitch

This method is best for large quilts, and should be

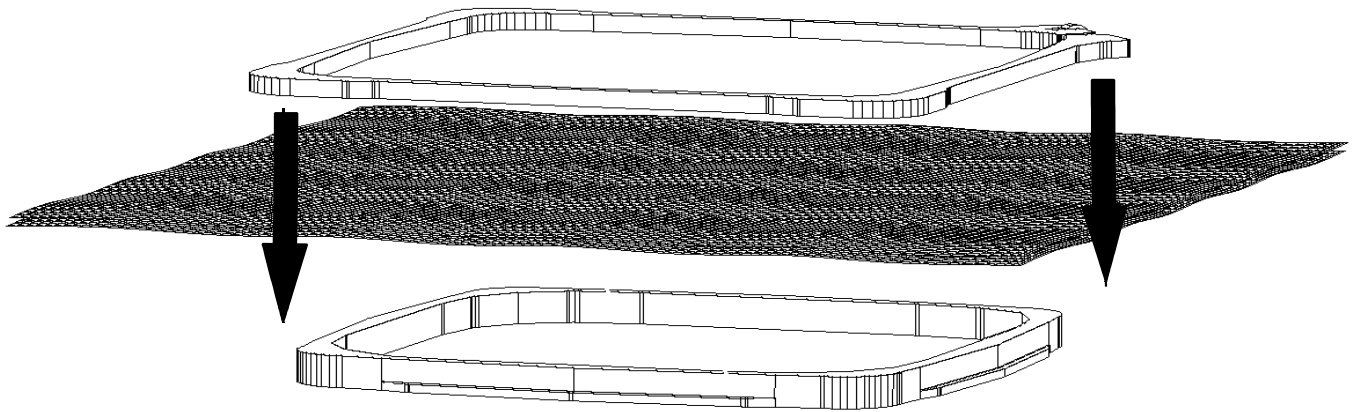
done on the floor. This method is very similar to Method Two in that the first Five steps are identical. After completing the two edge-to-edge stitches, follow the diagram, row-by-row outward, keeping lines about 2 to 4 inches apart. Always start a new line from the center stitch and then go the opposite direction from the center stitch.

**\*\*NOTE:** These are only a few suggestions on basting your quilt. There may be many other good methods. If you take the time to baste your quilt accurately, your quilt will finish better.

## Installing Fabric and Use of the GraceHoop<sup>2</sup>™

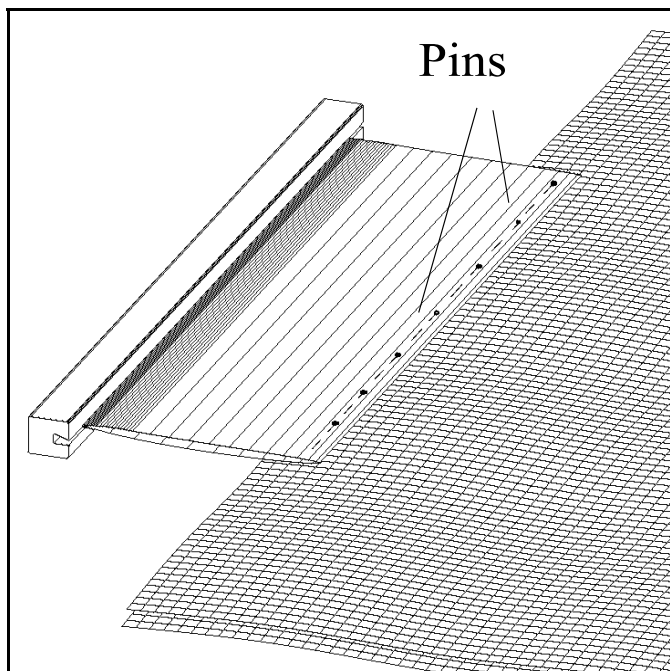
Following the diagram, remove the Outside Hoop and drape your basted quilt over the Inside Hoop. Position the quilt so the desired work area is centered in the hoop. Place the Outside hoop over the Inside Hoop, one corner at-a-time, until it rests completely on the lip on the Inside Hoop.

Applying the Outside Hoop will evenly pull the fabric top-to-bottom, and side-to-side. If greater tension is desired, simply tug on the fabric outside of the hoop. Once the desired tension is achieved,



tighten the Outside Hoop using the Large Finger Nut.

After completing your work area, simply loosen the Outside Hoop, remove it and reposition your quilt. The square boundaries will make determining your next work area easy.



## Using the GraceHoop<sup>2</sup>™ Accessories

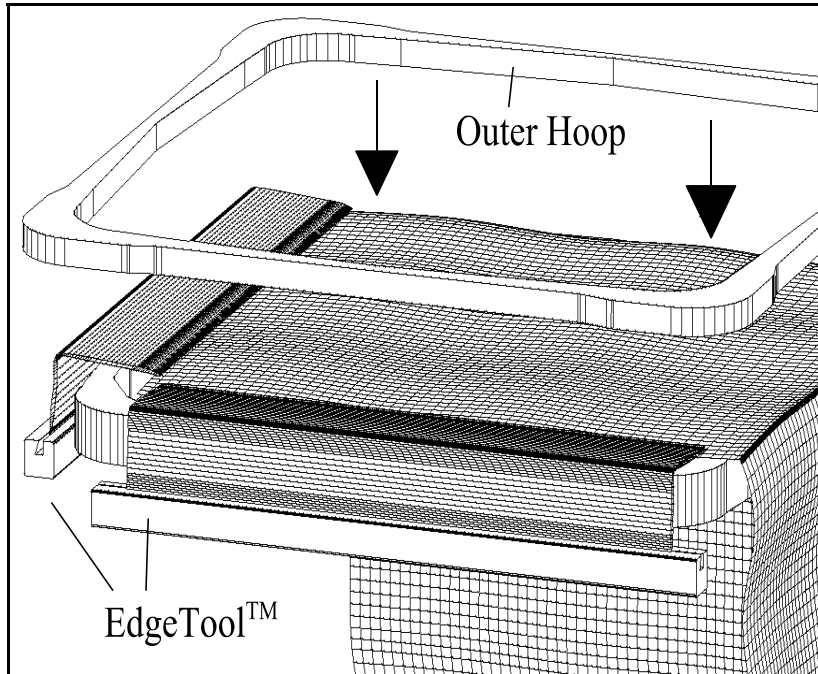
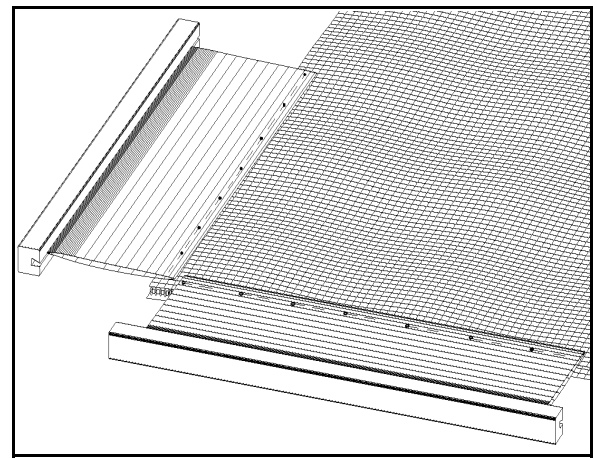
### The EdgeTool™

The EdgeTool™ will assist you in finishing your quilts along the edges. When you come to the edge of your quilt, lay out the quilt on a flat surface and pin the EdgeTool™ cloth sleeve to all three layers at the quilt's edge. Pin as straight as possible.

Holding the EdgeTool™ and quilt, position them onto the Inside Hoop, letting the EdgeTool™ wood bar hang over the Inside Hoop and act as a weight to assist in the positioning of your quilt.

Apply the Outside Hoop so that it clamps down over the EdgeTool™ cloth sleeve.

The EdgeTool™ comes as a set of two, enabling it to work in tandem as you complete the corners of your quilt (see diagram).



### Lamp Holder

The hole at the top of the Upright Stand provides a place for you to insert a swing arm lamp. This hole will accommodate most lamp models. The Grace Company sells Swing Arm Lamps as an accessory.

## Optional Hoop Sizes

(Sold Individually and May Not Be Included)

15"

18"

24"

