

Luminess 2 ft Extension Assembly Instructions

Warranty

Warranty Information for your Luminess Light Bar

The Luminess Light Bar has a One-Year limited warranty on all parts. The Grace Company will repair or replace, at its discretion, any part with problems due to our manufacturing, or defects in materials. This warranty does not cover parts damaged through misuse, improper storage, improper assembly, loss, natural events, and willful destruction. Parts must be returned to the Grace Company, shipping prepaid, before we can repair or replace them. We will promptly return the repaired/replaced part at our expense if done within a year of the purchase date.

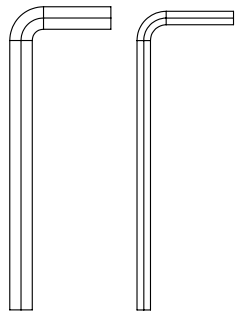


1-800-264-0644



See Appendix for Part and Assembly Number References.

Tools



03-10741
1x

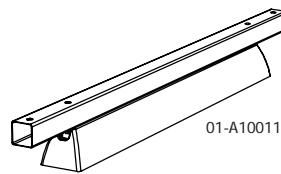
03-10166
1x

Hardware Components

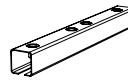


03-11054
4x

Components



1x

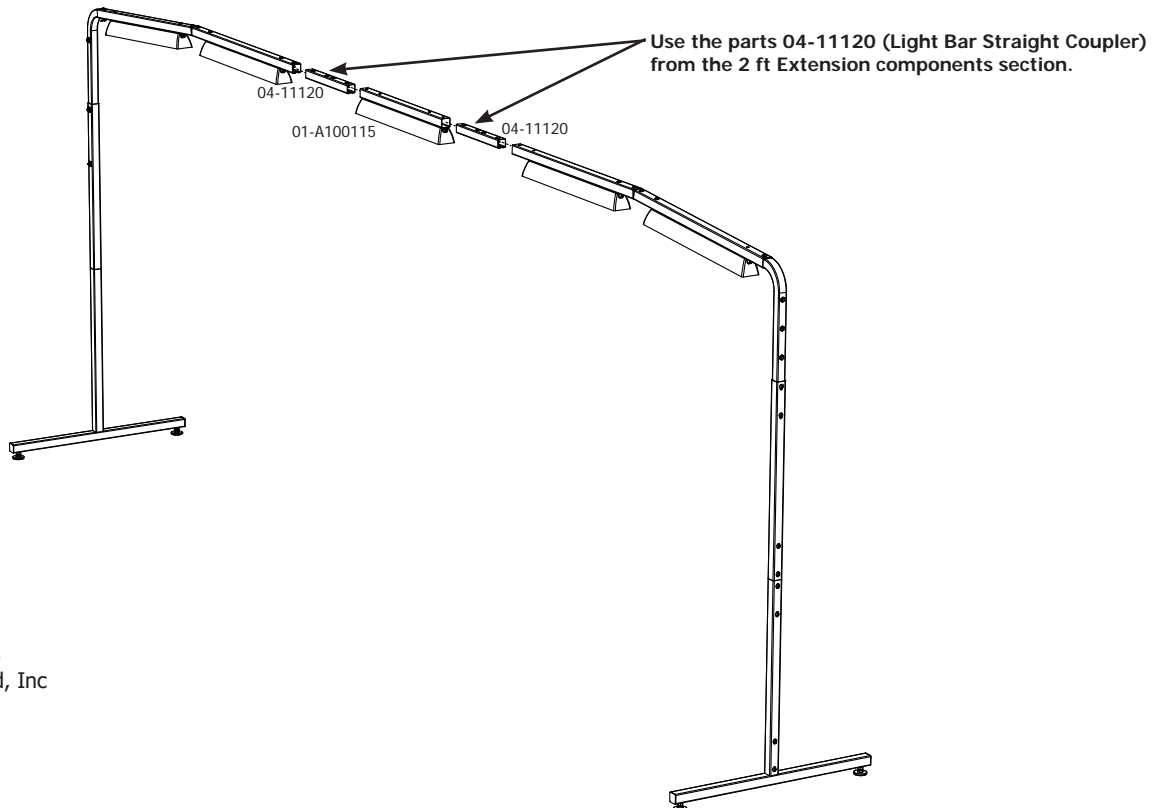


04-11120
2x

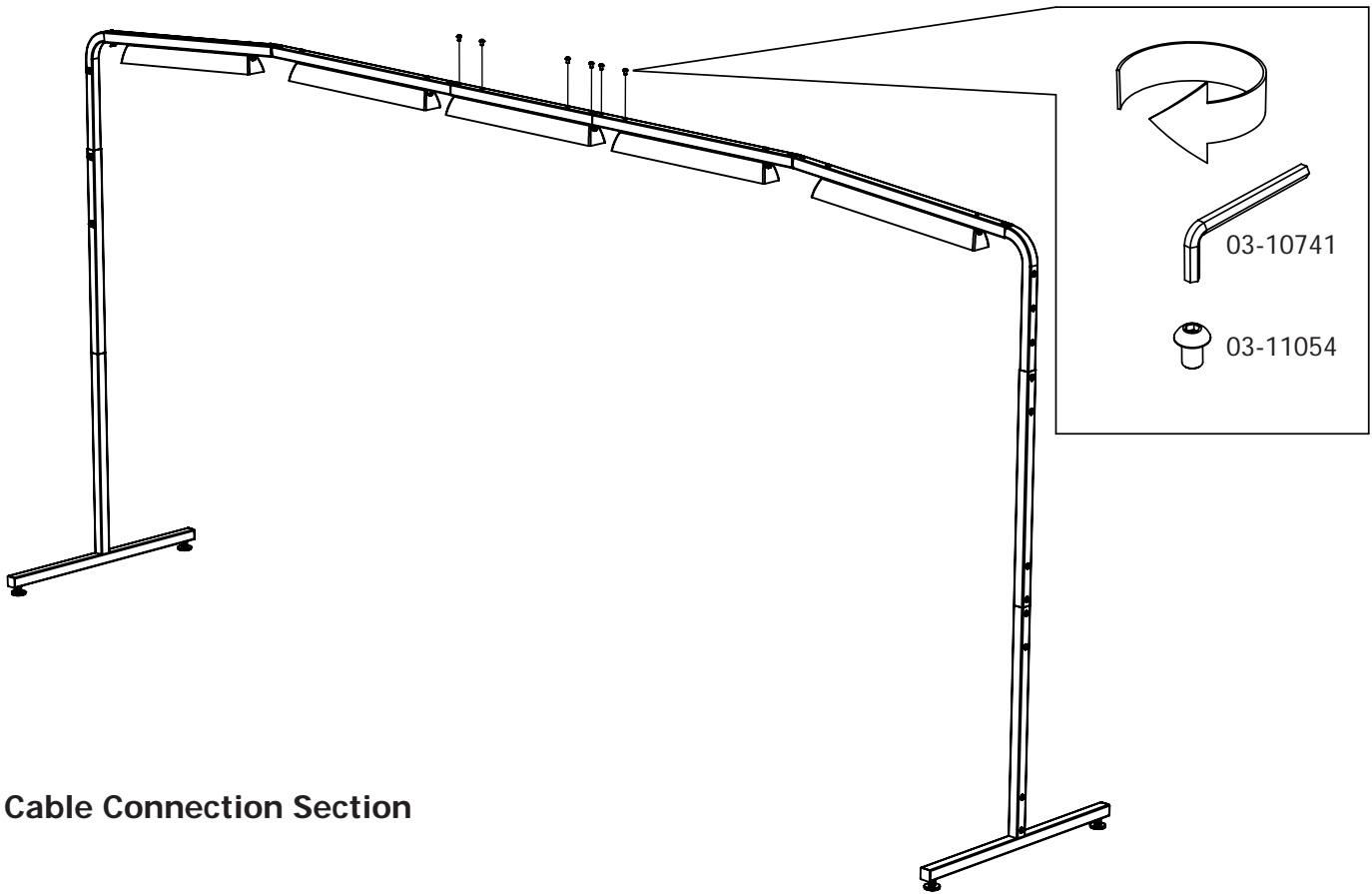
Included But Not Shown: Connecting Cable End (01-A100114),

Main Body Section

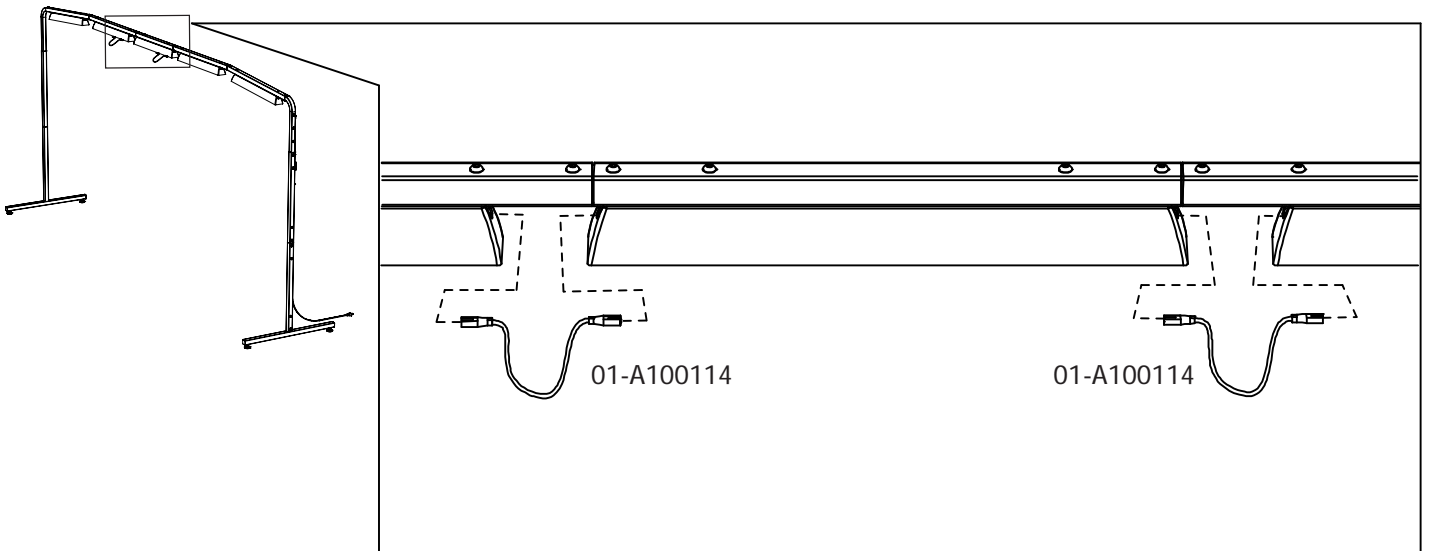
Note: Use a combination of 10 ft Instruction, Main Body and Fastening Section to assemble.



Fastening Section



Cable Connection Section



Appendix A

Part Number	Description	Assembly Number	Description
03-10741	5mm Allen Wrench	01-A100115	Light Bar 2 ft Extension Assembly
03-10166	3mm Allen Wrench		
03-11054	M8 x 12mm SBHCS		
04-11120	Light Bar Straight Coupler		
01-A100114	Connecting Cable End		