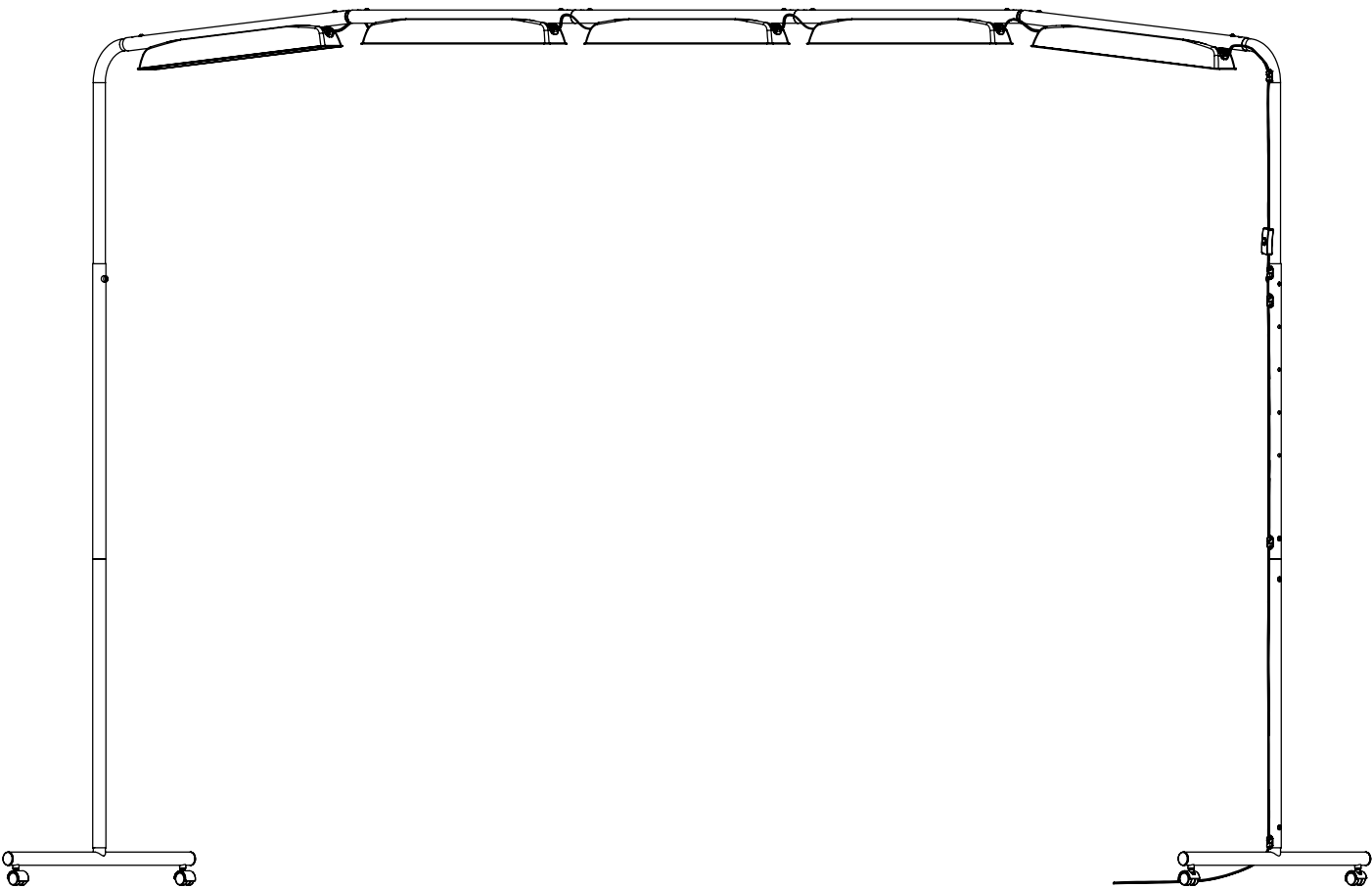
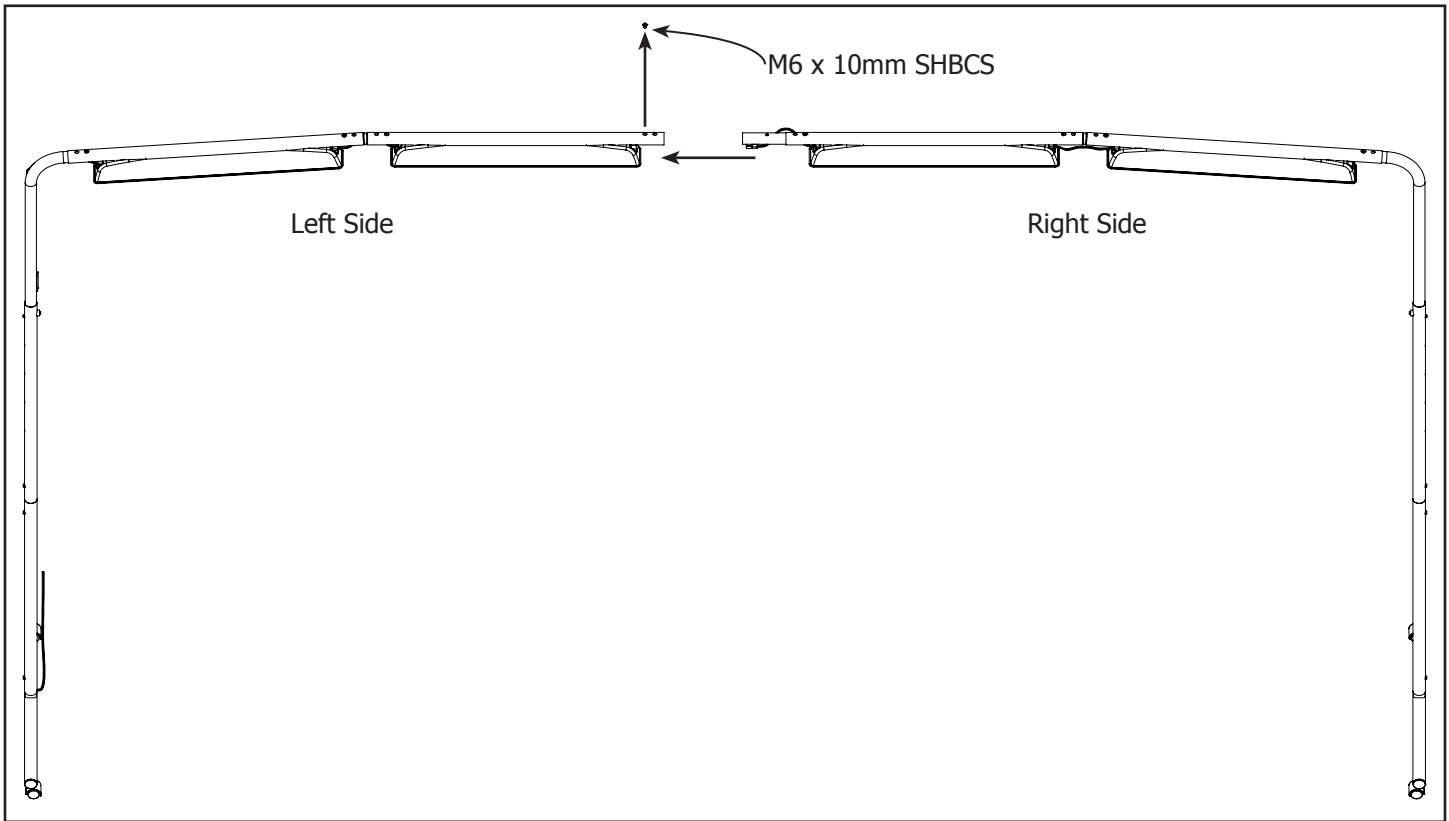


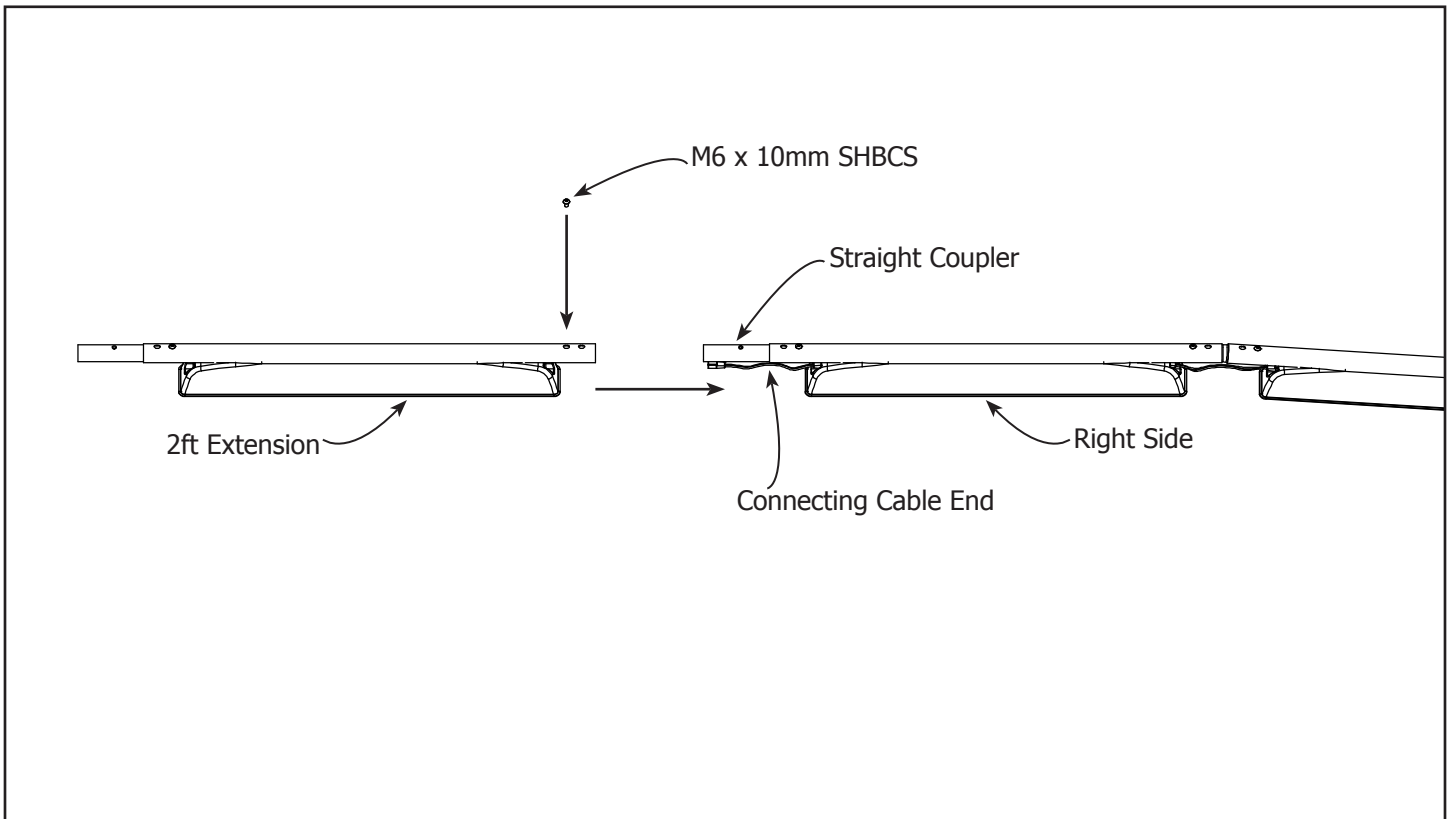
Luminess Light Bar 2ft Extension Assembly Instructions



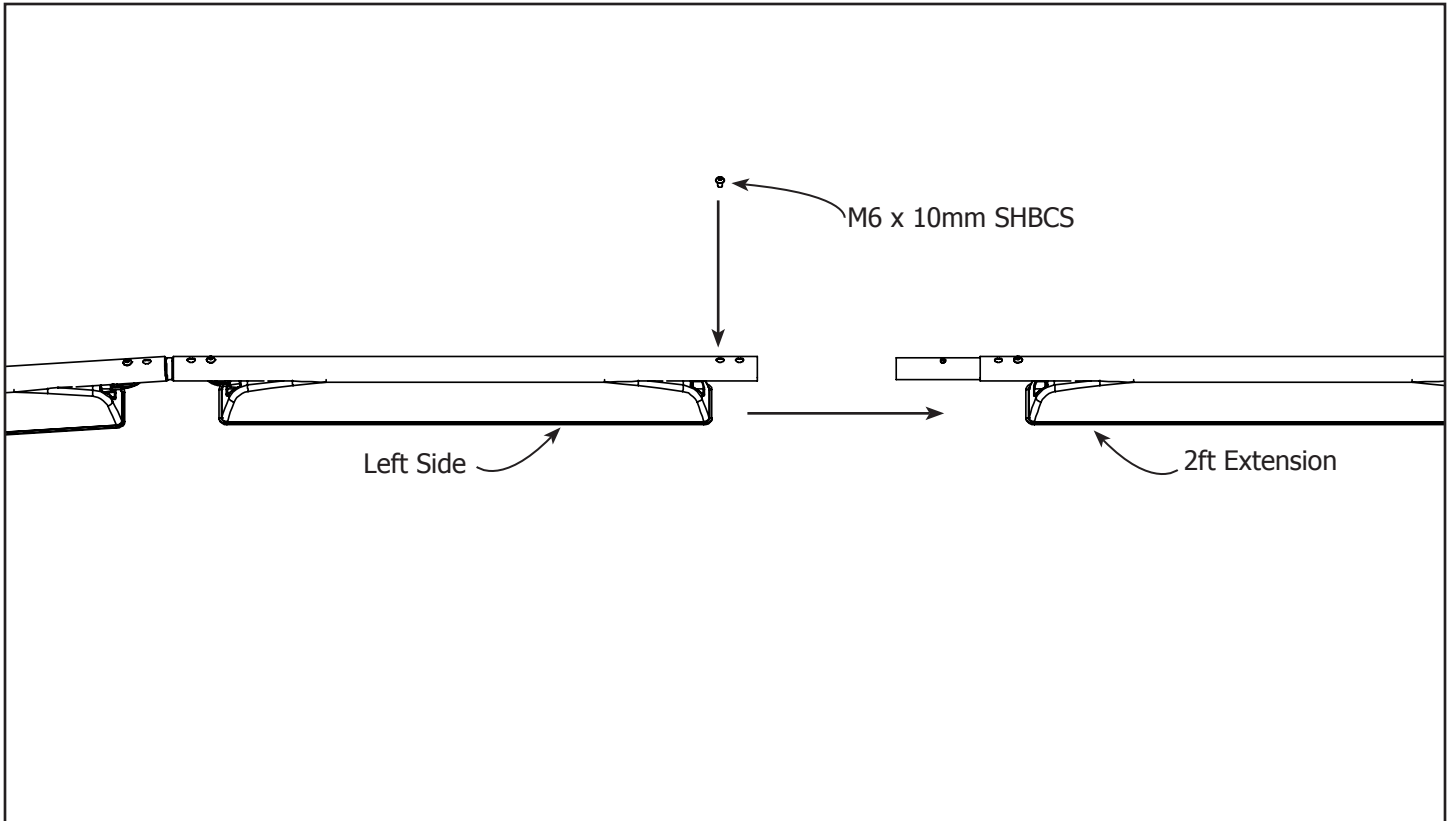
Copyright May 1, 2018
Grace Company
(Reproduction Prohibited)
Rev. 2.0



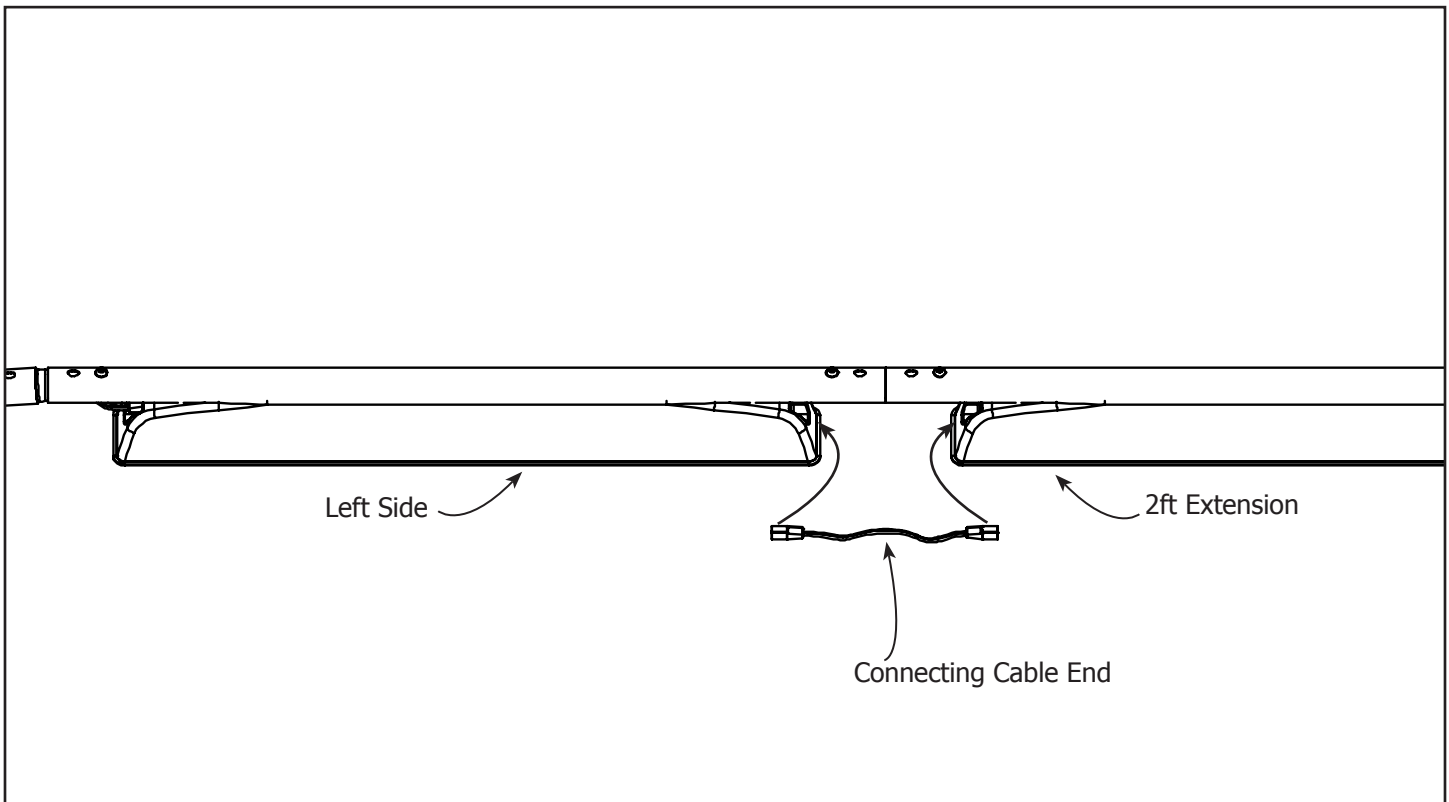
1-1 Remove Left side of the Luminess Light Bar by unscrewing the M6 x 10mm SHBCS from the Left side of the Straight Coupler.



1-2 Attach the 2ft Extension to the Right Side with the M6 x 10mm SHBCS and attach the Connecting Cable End to the 2ft Extension.



1-3 Attach the Left Side to the 2ft Extension with the M6 x 10mm SHBCS.



1-4 Attach the Connecting Cable End to the Left Side and the 2ft Extension.