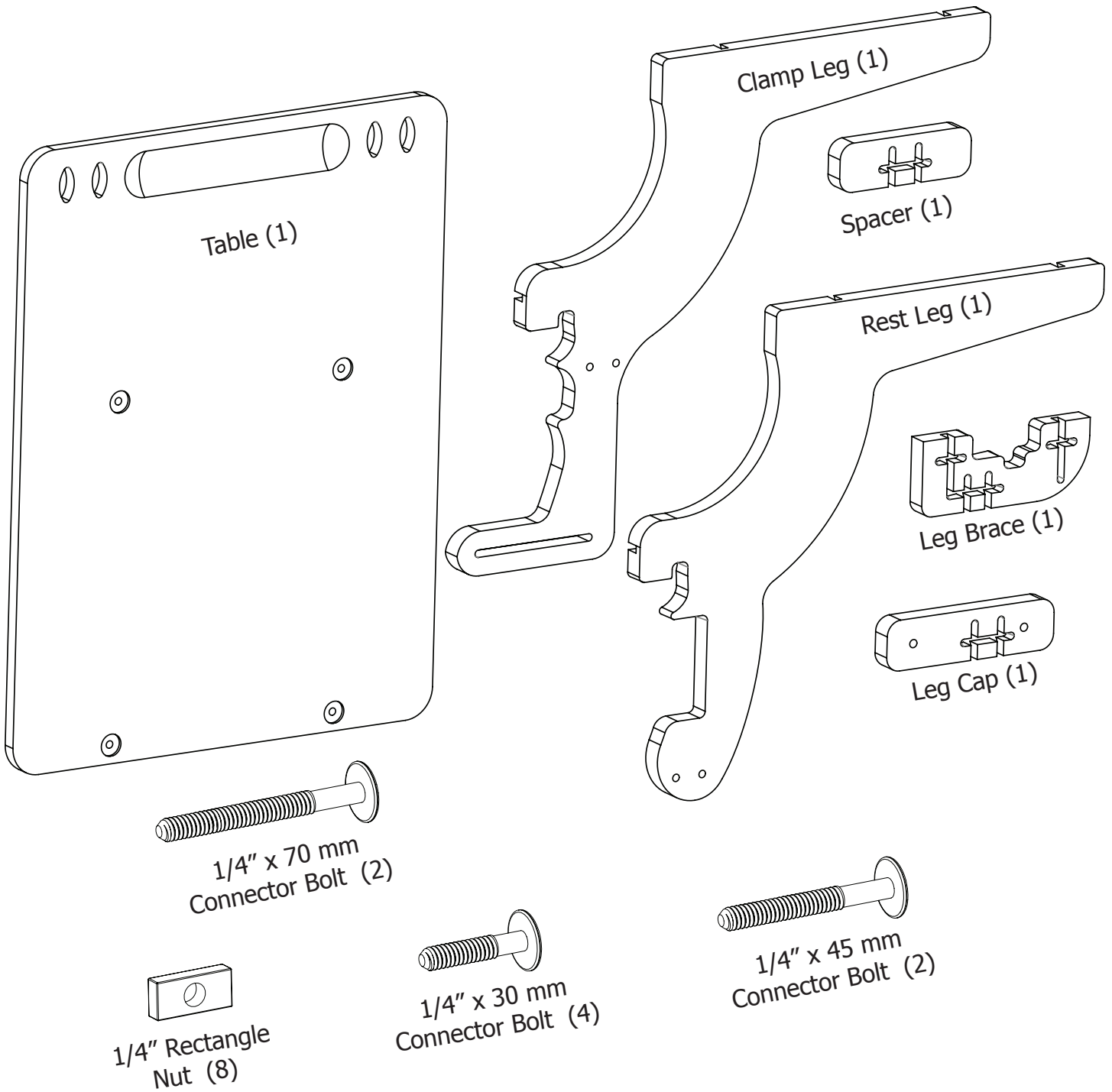
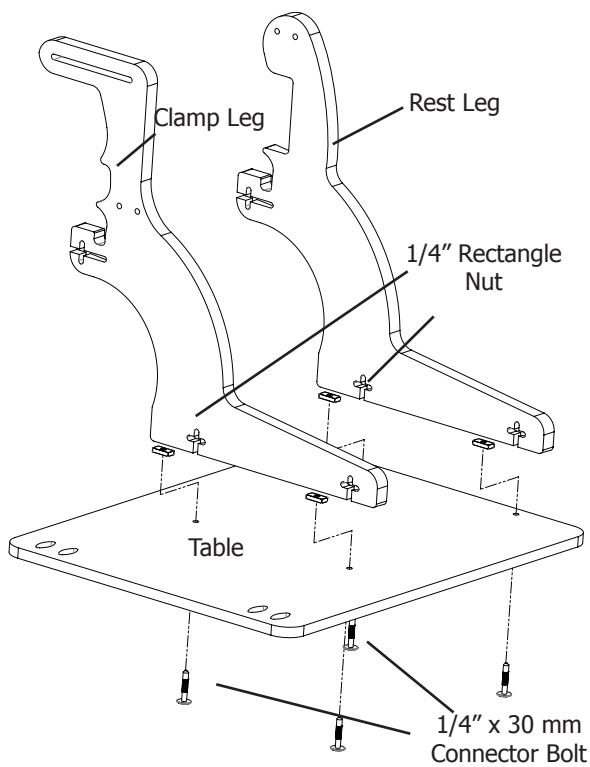


# Grace Laptop Table Instructions

## Parts List

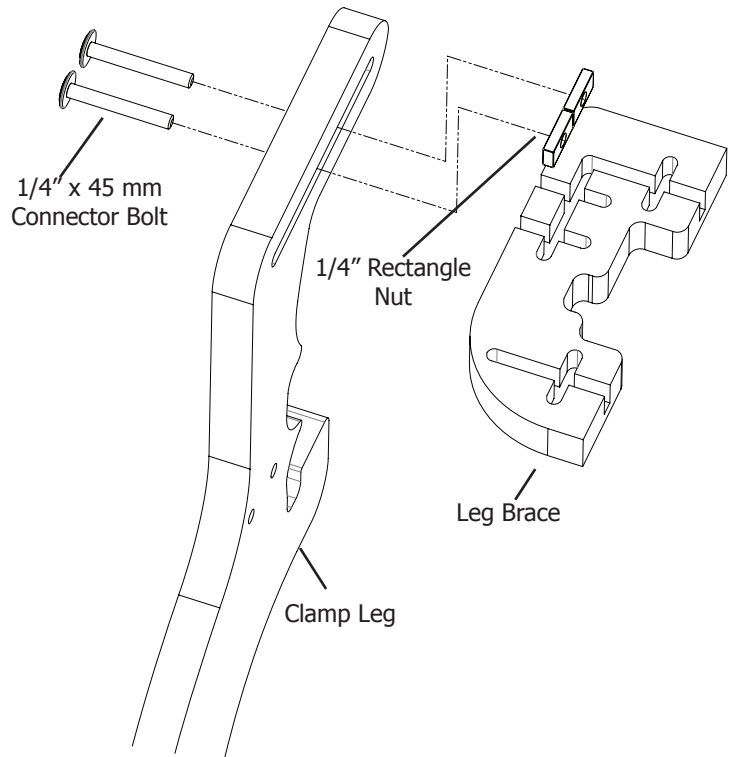
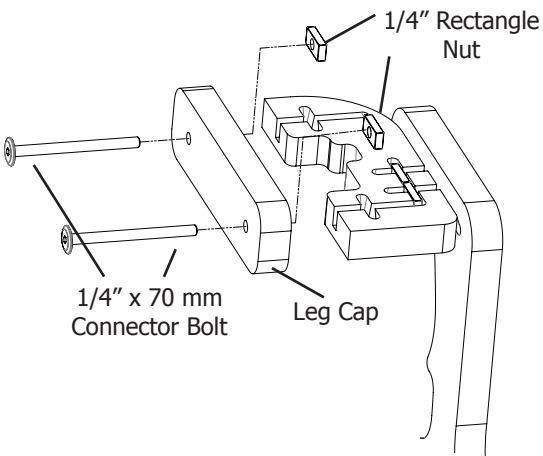


# Assembly for Pinnacle or Majestic



1. Attach the Clamp and Rest Legs to the Table using two (2) 1/4" x 30 mm Connector Bolts and two (2) 1/4" Rectangle Nuts, as shown above.

3. Attach the Leg Cap to the Leg Brace using two (2) 1/4" x 70 mm Connector Bolts and two (2) 1/4" Rectangle Nuts, as shown below. Make sure the front leg of your frame is between the Leg Brace and Leg Cap before you connect the pieces together.



2. Attach the Leg Brace to the Clamp Leg on the side nearest the Rest Leg using two (2) 1/4" x 45 mm Connector Bolts and two (2) 1/4" Rectangle Nuts, as shown above.

